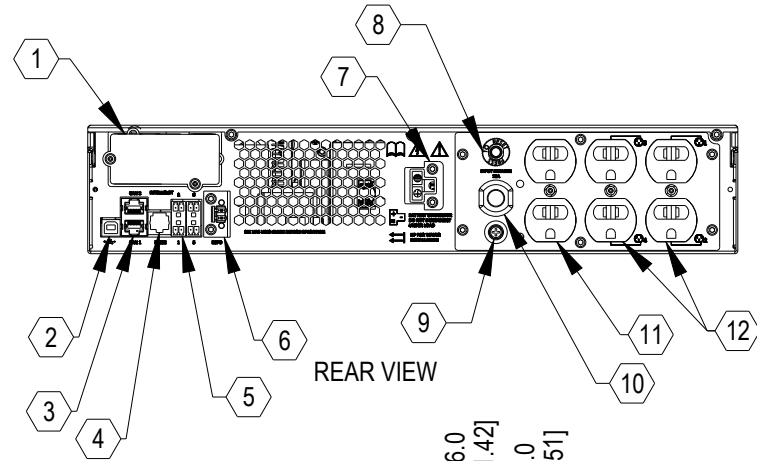
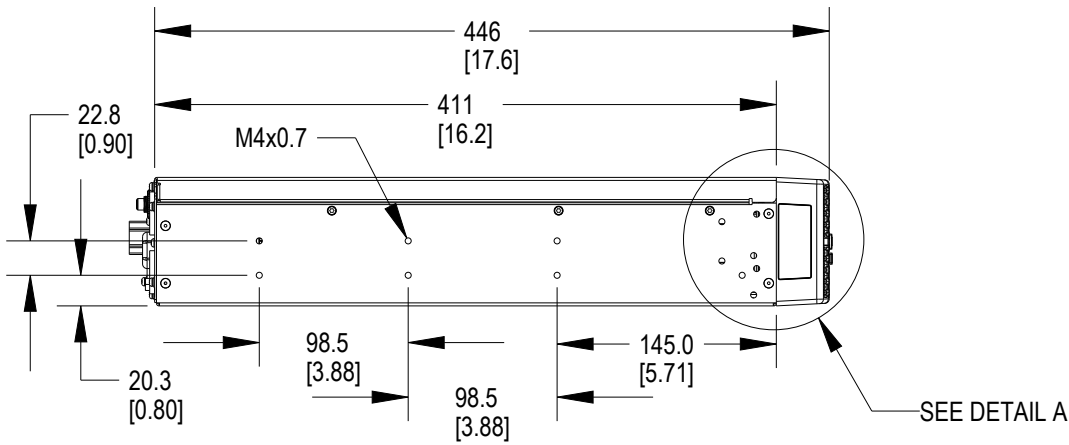


FRONT VIEW

FOR DETAIL
SEE DRAWING GXT5-DISPLAY

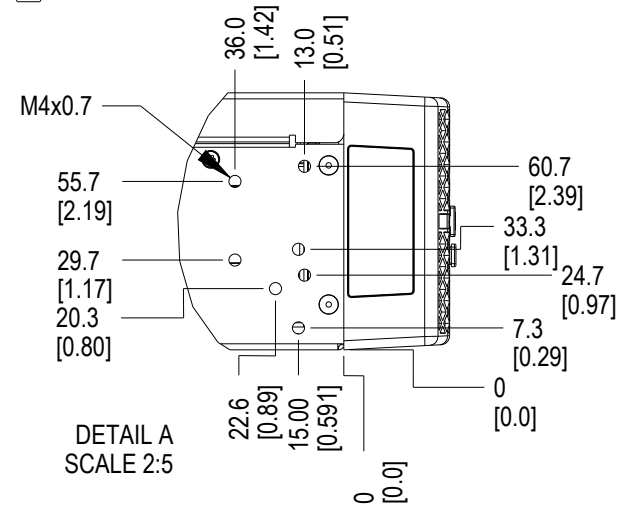


REAR VIEW



SIDE VIEW

SEE DETAIL A



DETAIL A
SCALE 2:5

- 1 INTELLISLOT PORT
- 2 USB PORT
- 3 EXTERNAL BATTERY CAN PORTS
- 4 RS232 PORT
- 5 TERMINAL BLOCK COMMUNICATION
- 6 REPO
- 7 EXTERNAL BATTERY CONNECTOR
- 8 12A INPUT CIRCUIT BREAKER
- 9 GROUND SCREW
- 10 INPUT POWER PLUG (5-15P, 3m/10ft)
- 11 NON PROGRAMMABLE OUTPUT RECEPTACLES (5-15R)
- 12 PROGRAMMABLE OUTPUT RECEPTACLES (5-15R)

NOTES

1. UNIT DIMENSIONS (WxDxH) 430mm x 446mm x 85mm (2U)
(16.9") x (17.5") x (3.3")
2. UNIT WEIGHT 16.5kg (36.4lbs)
3. SHIPPING DIMENSIONS (WxDxH) 542mm x 583mm x 228mm
(21.3") x (23.0") x (9.0")
4. SHIPPING WEIGHT 21.6kg (47.6lbs)
5. MINIMUM AIRFLOW CLEARANCE IS 100MM (4.0")
FRONT AND REAR.

SHEET NO. 1 OF 1	DRAWN BY: P BENNER	TITLE OUTLINE DRAWING LIEBERT GXT5 LITHIUM-ION 1000VA 100 - 120VAC RACK/TOWER UPS
CO. NO. -	DESIGNED BY: P BENNER	
REF DWG. -	APPROVED BY: N SECORD	

DWG. NO. GXT5-LI_1000_120
DATE (LATEST REV.) 2/14/2022
REVISION 0
1050 DEARBORN DR P.O. BOX 29186 COLUMBUS, OH 43229

