



NetSure™ 802 Series NCU Retrofit Kit

Installation Manual

Kit Specification Number: 566156

For use in a "Newer Style" 582140000 List 16 distribution only bay

The information contained in this document is subject to change without notice and may not be suitable for all applications. While every precaution has been taken to ensure the accuracy and completeness of this document, Vertiv assumes no responsibility and disclaims all liability for damages resulting from use of this information or for any errors or omissions. Refer to other local practices or building codes as applicable for the correct methods, tools, and materials to be used in performing procedures not specifically described in this document.

The products covered by this instruction manual are manufactured and/or sold by Vertiv. This document is the property of Vertiv and contains confidential and proprietary information owned by Vertiv. Any copying, use or disclosure of it without the written permission of Vertiv is strictly prohibited.

Names of companies and products are trademarks or registered trademarks of the respective companies. Any questions regarding usage of trademark names should be directed to the original manufacturer.

Technical Support Site

If you encounter any installation or operational issues with your product, check the pertinent section of this manual to see if the issue can be resolved by following outlined procedures.

Visit <https://www.vertiv.com/en-us/support/> for additional assistance.

TABLE OF CONTENTS

Admonishments Used in this Document	iv
Important Safety Instructions	v
Safety Admonishments Definitions	v
Safety and Regulatory Statements	v
Déclarations de Sécurité et de Réglementation	v
1 Vertiv™ NetSure™ 802 Series NCU Retrofit Kit Installation Instructions	1
1.1 Kit Description	1
1.2 Kit Contents	1
1.3 Tools and Material Required	1
1.4 Installation Procedure	4

Admonishments Used in this Document



DANGER! Warns of a hazard the reader *will* be exposed to that will *likely* result in death or serious injury if not avoided. (ANSI, OSHA)



WARNING! Warns of a potential hazard the reader *may* be exposed to that *could* result in death or serious injury if not avoided. This admonition is not used for situations that pose a risk only to equipment, software, data, or service. (ANSI)



CAUTION! Warns of a potential hazard the reader *may* be exposed to that *could* result in minor or moderate injury if not avoided. (ANSI, OSHA) This admonition is not used for situations that pose a risk only to equipment, data, or service, even if such use appears to be permitted in some of the applicable standards. (OSHA)



ALERT! Alerts the reader to an action that *must be avoided* in order to protect equipment, software, data, or service. (ISO)



ALERT! Alerts the reader to an action that *must be performed* in order to prevent equipment damage, software corruption, data loss, or service interruption. (ISO)



FIRE SAFETY! Informs the reader of fire safety information, reminders, precautions, or policies, or of the locations of fire-fighting and fire-safety equipment. (ISO)



SAFETY! Informs the reader of general safety information, reminders, precautions, or policies not related to a particular source of hazard or to fire safety. (ISO, ANSI, OSHA)

Important Safety Instructions

Safety Admonishments Definitions

Definitions of the safety admonishments used in this document are listed under “Admonishments Used in this Document” on page iv.

Safety and Regulatory Statements

Refer to Section 4154 (provided with your customer documentation) for Safety and Regulatory Statements.

Déclarations de Sécurité et de Réglementation

Reportez-vous à la Section 4154 (fourni avec les documents de votre client) pour les déclarations de sécurité et de réglementation.

This page intentionally left blank.

1 Vertiv™ NetSure™ 802 Series NCU Retrofit Kit Installation Instructions

1.1 Kit Description

These instructions provide a step-by-step procedure to field install this kit into a “Newer Style” 582140000 List 16 Distribution Only Bay. See Figure 1.1 for an illustration of the “Newer Style” Bay. Installation of this kit in other equipment should not be attempted. For an “Older Style” 582140000 List 16 Distribution Only Bay (Figure 1.2), use kit P/N 566157.

This kit replaces the control shelf in an older style system with the kit supplied control shelf that is offered in the latest revision system. The latest revision system replaces the MCA (Meter, Control, Alarm Panel) and optional LMS monitoring system of the older style system with the NCU controller.

1.2 Kit Contents

Table 1.1 lists the items furnished as a part of this kit. Before installing the kit, check the items furnished against those listed to ensure that there are no shortages.

Table 1.1 Kit Contents

Qty.	P/N	Description
1	565930	Preassembled Distribution Only Bay Add-On Control Assembly including Ship Loose CAN Interface Circuit Card P/N 566014

1.3 Tools and Material Required

Table 1.2 lists the items required to install this kit.

Table 1.2 Tools and Material Required

Description
Phillips Head Screwdriver
Nut Driver Set

Figure 1.1 Newer Style 582140000 List 16 Distribution Only Bay

Newer Style 582140000 List 16 Bay

Use Kit P/N 566156

(for an older style bay, use kit P/N 566157)

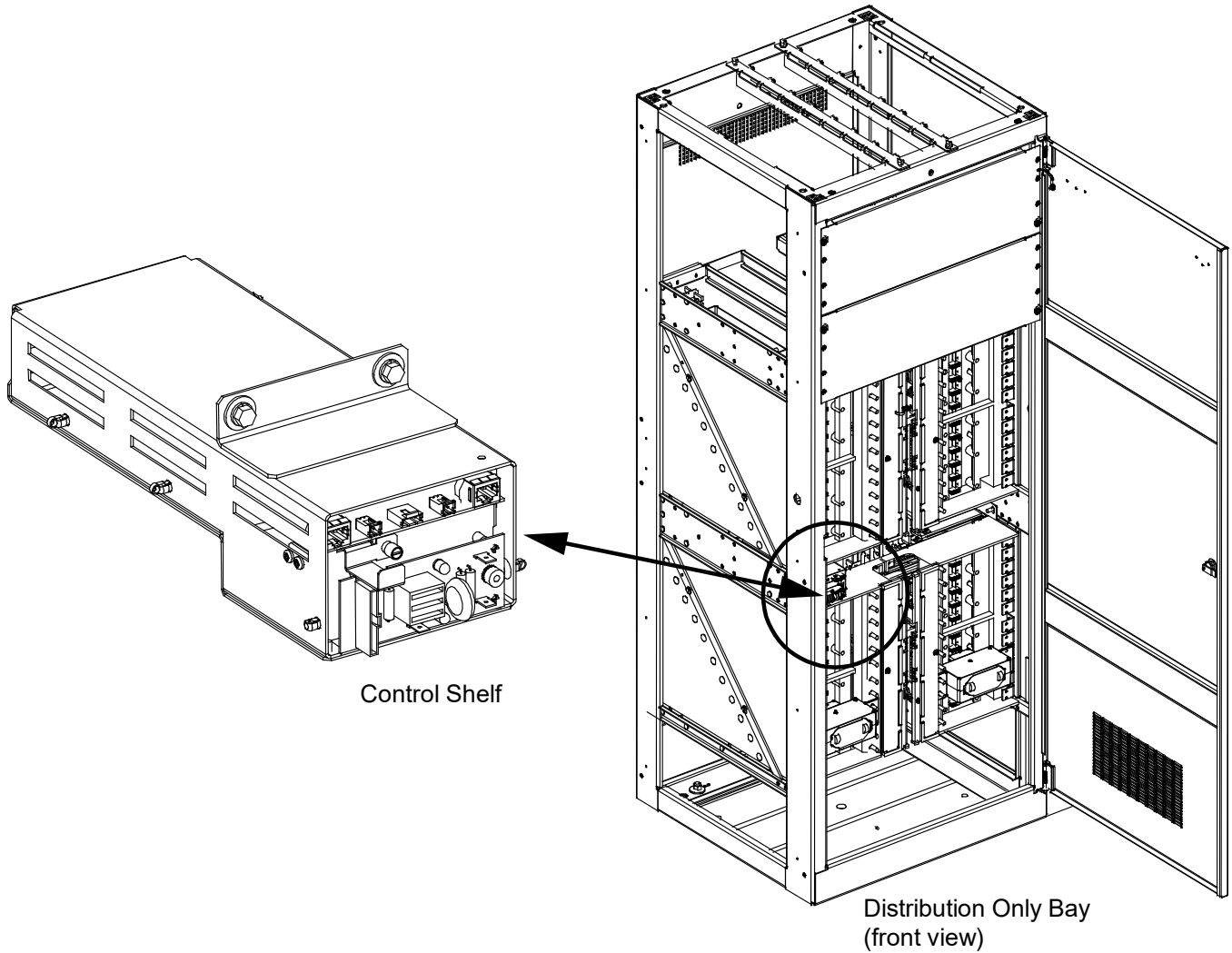
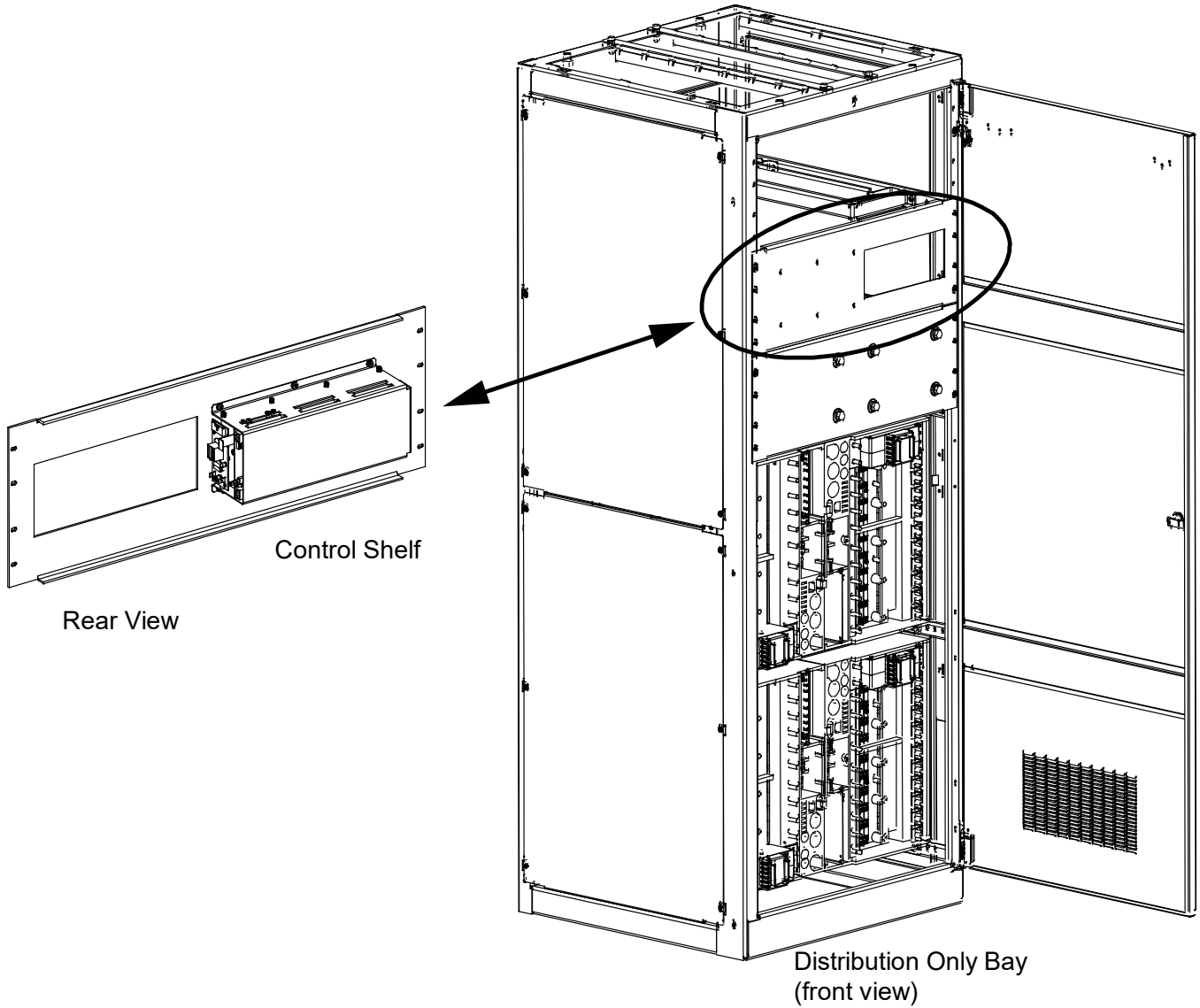


Figure 1.2 Older Style 582140000 List 16 Distribution Only Bay

Older Style 582140000 List 16 Bay

Use Kit P/N 566157

(for a newer style bay, use kit P/N 566156)



1.4 Installation Procedure

THESE INSTRUCTIONS SHOULD BE READ THROUGH COMPLETELY BEFORE INSTALLING THE KIT.

The following is a step-by-step procedure to install the kit. The procedure has been written for ease of use and to minimize the possibility of contact with potentially hazardous energy. This procedure should be performed in the sequence given, and each step should be completely read and fully understood before performing that step. Observe all “Important Safety Instructions” starting on page v and also those presented in the following procedure. As each step of the procedure is completed, the box adjacent to the respective step should be checked. This will minimize the possibility of inadvertently skipping any steps. If the step is not required to be performed for your site, also check the box to indicate that it was read.



DANGER! This kit can be installed with the system operating. Observe the “Important Safety Instructions” starting on page v and those listed in the power system manual.



CAUTION! When performing any step in procedures that requires removal or installation of hardware, use caution to ensure no hardware is dropped and left inside the unit; otherwise service interruption or equipment damage may occur.



NOTE! When performing any step in this procedure which requires removal of existing hardware, retain all hardware for use in subsequent steps, unless otherwise stated.

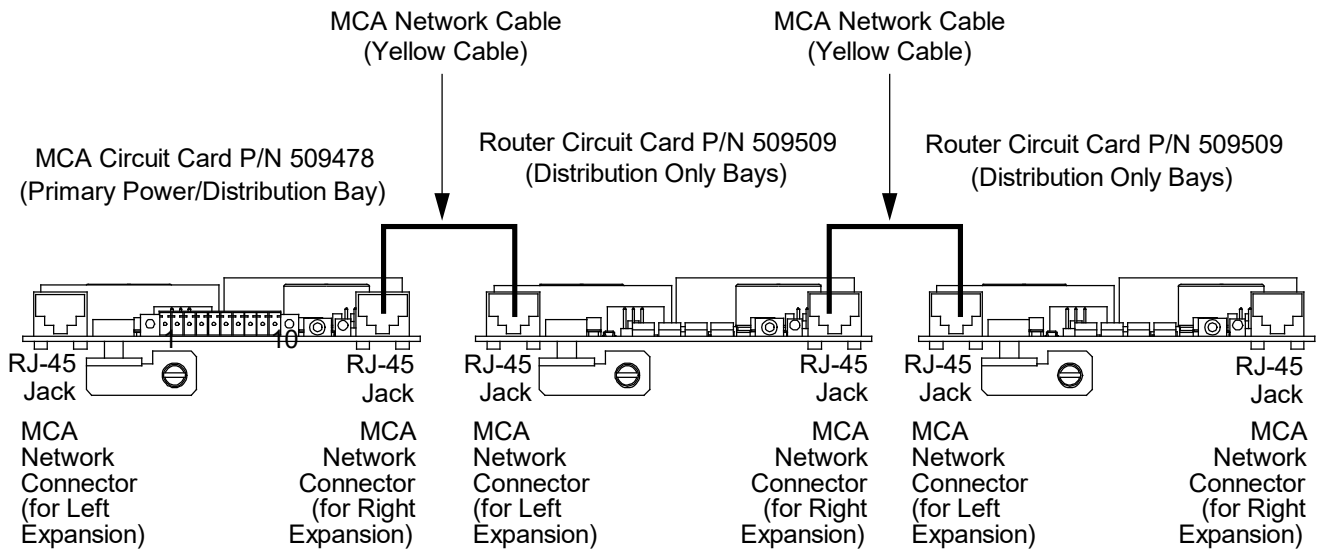
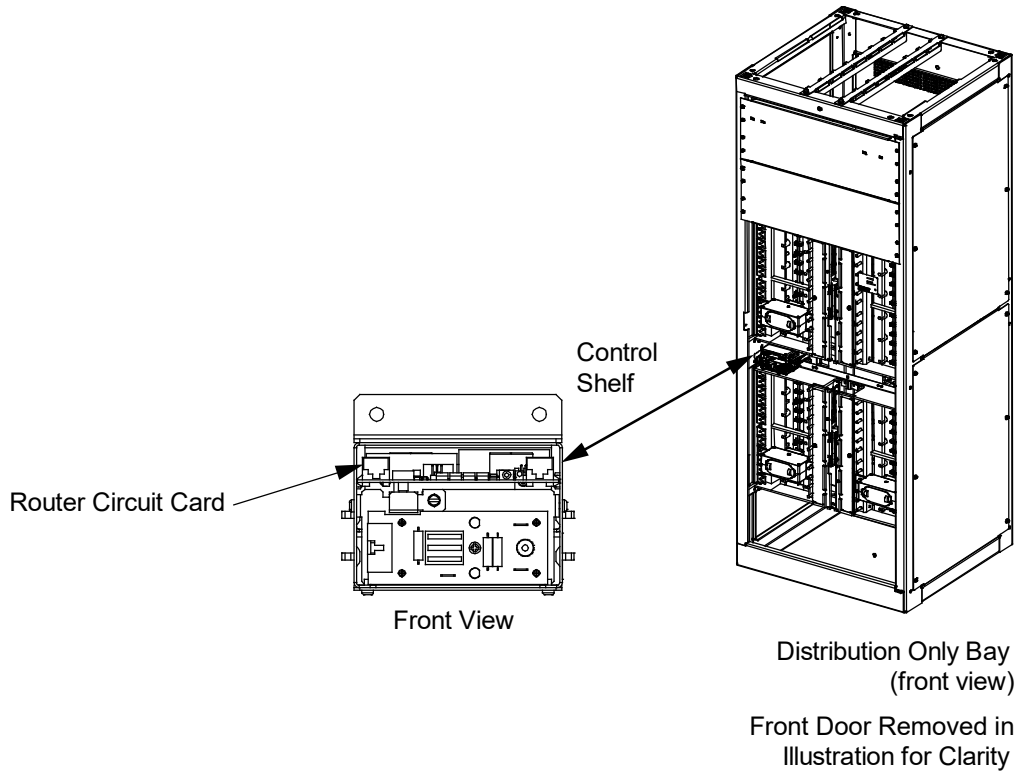
Initial Procedure

- [] 1. Performing this procedure may activate external alarms. Do one of the following. If possible, disable these alarms. If these alarms cannot be easily disabled, notify the appropriate personnel to disregard any future alarms associated with this system while the procedure is being performed.
- [] 2. Open the front door of the bay.

Replacing the Router Circuit Card in the Control Shelf with the Kit Supplied CAN Interface Circuit Card Procedure

- [] 1. Disconnect the MCA network cable(s) from the control shelf. See Figure 1.3. These cables can be reused, depending on length.

Figure 1.3 Disconnect MCA Network Cable(s)



- [] 2. Replace the router circuit card in the bay with the kit supplied CAN interface circuit card P/N 566014 as follows (see Figure 1.4).



WARNING! Damage to the CAN interface circuit card may result if the next step is not followed.

- [] 3. Connect an approved grounding strap to your wrist. Attach the other end to a suitable ground.
- [] 4. Remove the fuse which supplies input power to the router circuit card. Refer to Figure 1.5 for location.
- [] 5. Loosen the circuit card retaining screw.
- [] 6. Remove the router circuit card.
- [] 7. Slide the kit supplied CAN interface circuit card into the same mounting location, ensuring the rear edge connector is firmly seated.
- [] 8. Secure the circuit card by tightening the circuit card retaining screw.
- [] 9. Replace the fuse which supplies input power to the CAN interface circuit card. Refer to Figure 1.5 for location.
- [] 10. Remove the grounding wrist strap.

Figure 1.4 Distribution Only Bay Router Circuit Card Replacement

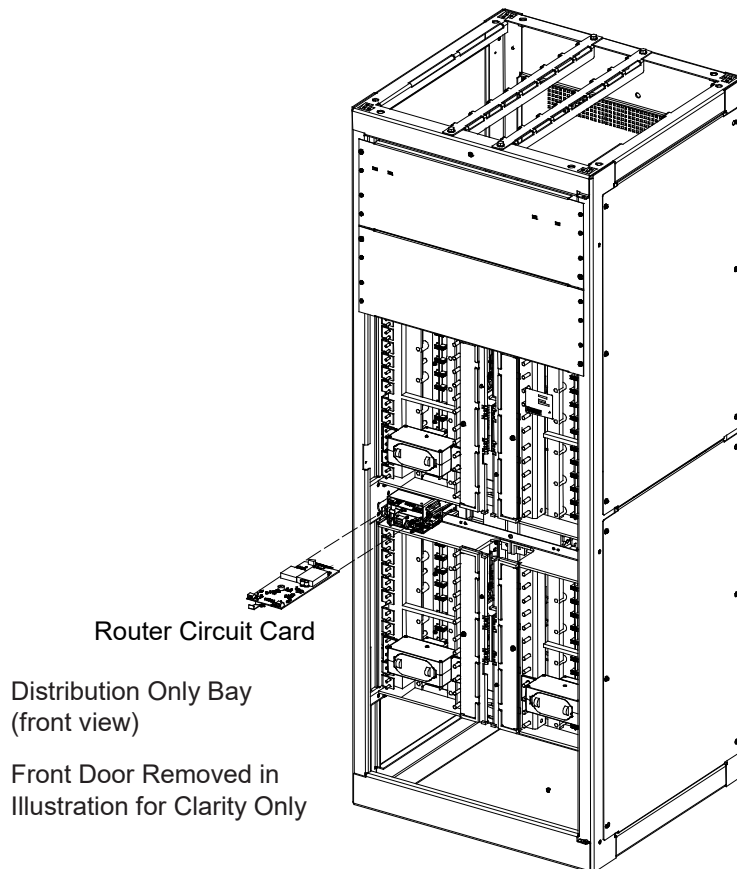
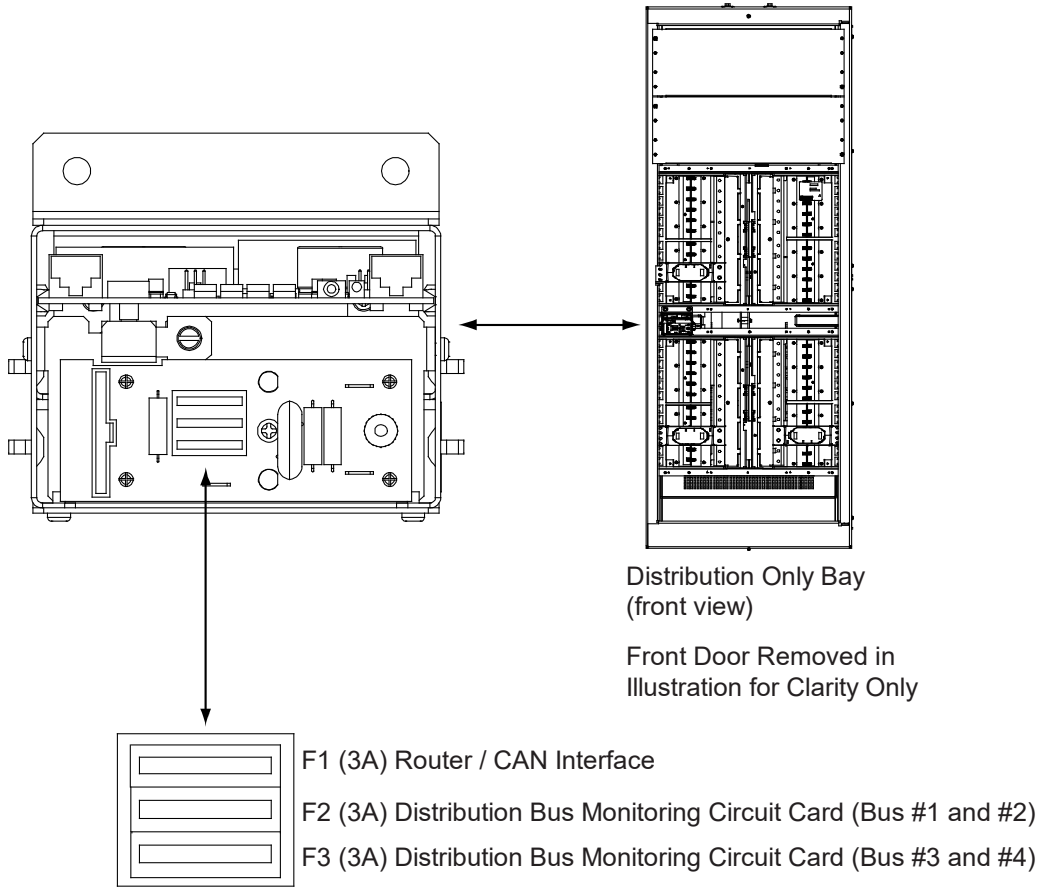


Figure 1.5 Distribution Only Bay Fuse Locations



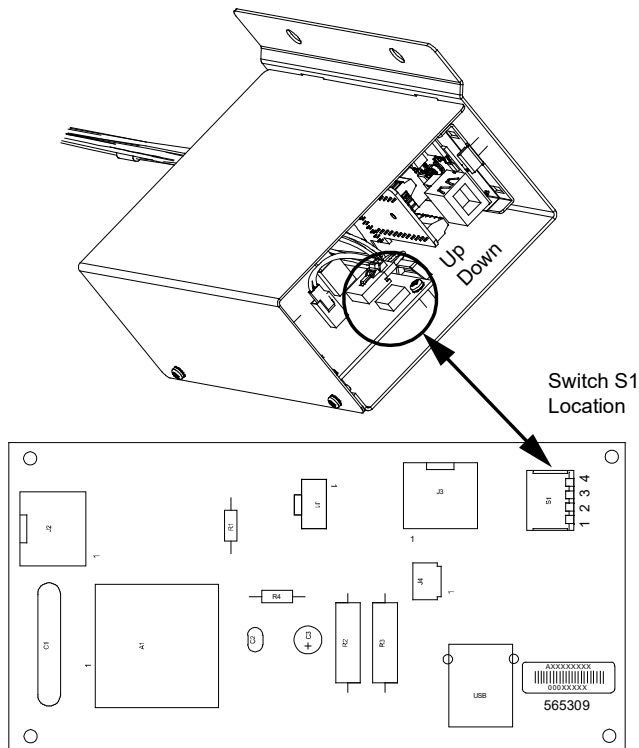
Setting the Bay Address Procedure

- [] 1. Set the bay address. Each bay needs a unique address to communicate with the NCU.
 - a) Dip Switch S1 is used to set the communications address for each bay. Refer to Table 1.3 for S1 settings. Refer to Figure 1.6 for S1 location.
 - b) Set the addressing switches on each kit installed in the system to a unique address per Table 1.3.

Table 1.3 DIP Switch S1 (Bay Addressing)

Communication Address				DIP Switch S1	Description of Status
1	2	3	Reserved 4		
DOWN	DOWN	DOWN	DOWN	Address 1# (Setting for 1st Bay in System)	
UP	DOWN	DOWN		Address 2# (Setting for 2nd Bay in System)	
DOWN	UP	DOWN		Address 3# (Setting for 3rd Bay in System)	
UP	UP	DOWN		Address 4# (Setting for 4th Bay in System)	
DOWN	DOWN	UP		Address 5# (Setting for 5th Bay in System)	
UP	DOWN	UP		Address 6# (Setting for 6th Bay in System)	
DOWN	UP	UP		Address 7# (Setting for 7th Bay in System)	
UP	UP	UP		Address 8# (Setting for 8th Bay in System)	

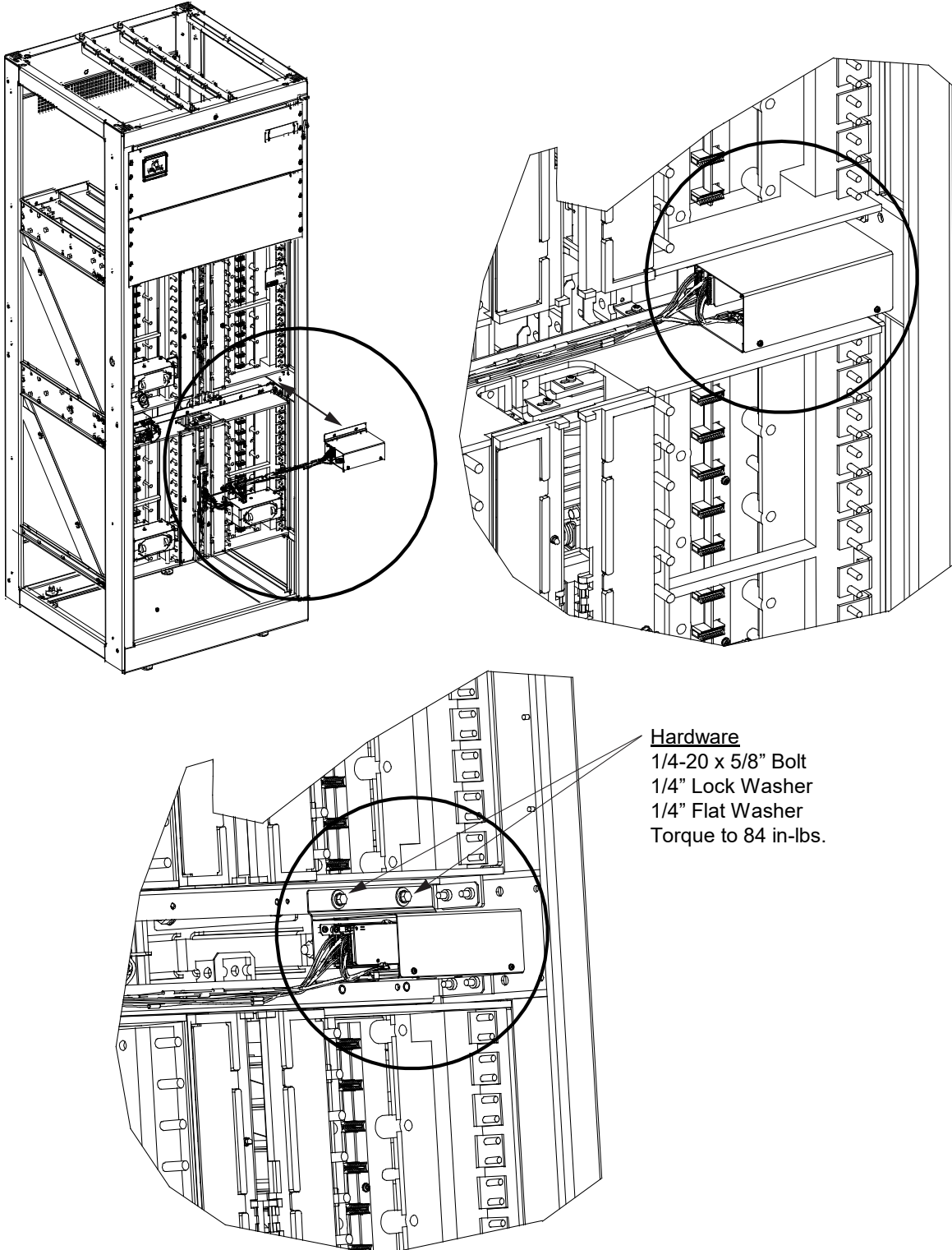
Figure 1.6 DIP Switch S1 (Bay Addressing)



Installing the Kit Furnished “Preassembled Distribution Only Bay Add-On Control Assembly” Procedure

- [] 1. Install kit furnished “Preassembled Distribution Only Bay Add-On Control Assembly”. See Figure 1.7.

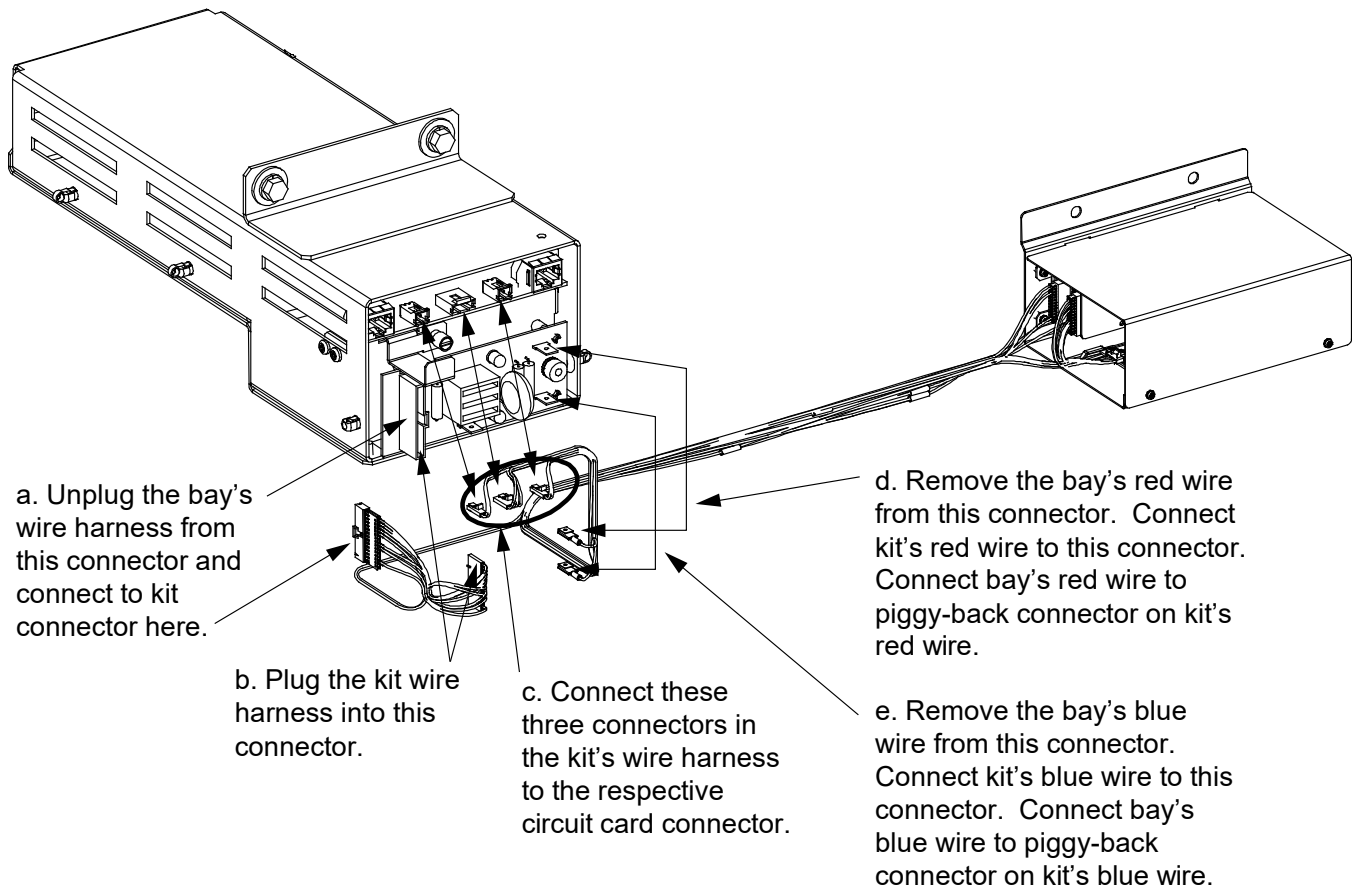
Figure 1.7 Install Kit “Preassembled Distribution Only Bay Add-On Control Assembly”



Connecting Bay's Wire Harness to Kit "Preassembled Distribution Only Bay Control Shelf" Procedure

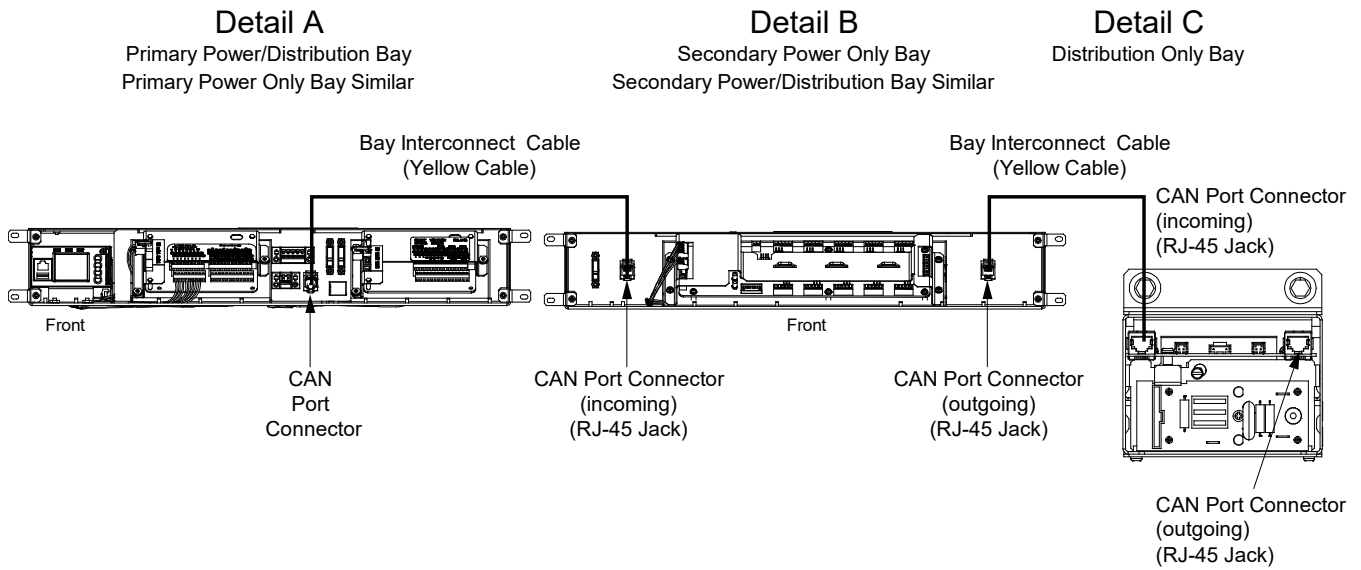
- [] 1. Connect the bay's wire harness to the kit "Preassembled Distribution Only Bay Add-On Control Assembly". See Figure 1.8.
 - a) Unplug the bay's wire harness from the fuse board and connect it to the kit's wire harness mating connector.
 - b) Connect the kit's wire harness to the fuse board connector vacated above.
 - c) Connect the three connectors in the kit's wire harness to the respective circuit card connector.
 - d) Disconnect the bay's wire harness red wire from the fuse board. Connect the kit's wire harness red wire to the fuse board in the same position. Reconnect the bay's wire harness red wire to the piggy-back connector located on the kit's wire harness red wire.
 - e) Disconnect the bay's wire harness blue wire from the fuse board. Connect the kit's wire harness blue wire to the fuse board in the same position. Reconnect the bay's wire harness blue wire to the piggy-back connector located on the kit's wire harness blue wire.

Figure 1.8 Connect Bay's Wire Harness



- [] 2. Connect the network cable(s) to the kit control shelf. See Figure 1.9.

Figure 1.9 Connect Network Cable(s)



Final Procedure



NOTE! A controller reboot may be required to update controller distribution inventory.

- [] 1. Dress and secure the kit's wire harness to the bay. Ensure the cables cannot be pinched when the door is closed.
- [] 2. Close the front door of the bay.
- [] 3. Ensure that there are no local or remote alarms active on the system.
- [] 4. Enable the external alarms, or notify appropriate personnel that this procedure is finished.

This page intentionally left blank.

Connect with Vertiv on Social Media



<https://www.facebook.com/vertiv/>



<https://www.instagram.com/vertiv/>



<https://www.linkedin.com/company/vertiv/>



<https://www.twitter.com/vertiv/>



Vertiv.com | Vertiv Headquarters, 505 N Cleveland Ave, Westerville, OH 43082, USA

© 2023 Vertiv Group Corp. All rights reserved. Vertiv™ and the Vertiv logo are trademarks or registered trademarks of Vertiv Group Corp. All other names and logos referred to are trade names, trademarks or registered trademarks of their respective owners. While every precaution has been taken to ensure accuracy and completeness here, Vertiv Group Corp. assumes no responsibility, and disclaims all liability, for damages resulting from use of this information or for any errors or omissions.