



NetSure™ V200E50 DC Power Retrofit

Installation and User Manual

Specification Number: 486531003

Model Number: V200E50

The information contained in this document is subject to change without notice and may not be suitable for all applications. While every precaution has been taken to ensure the accuracy and completeness of this document, Vertiv assumes no responsibility and disclaims all liability for damages resulting from use of this information or for any errors or omissions. Refer to other local practices or building codes as applicable for the correct methods, tools, and materials to be used in performing procedures not specifically described in this document.

The products covered by this instruction manual are manufactured and/or sold by Vertiv. This document is the property of Vertiv and contains confidential and proprietary information owned by Vertiv. Any copying, use or disclosure of it without the written permission of Vertiv is strictly prohibited.

Names of companies and products are trademarks or registered trademarks of the respective companies. Any questions regarding usage of trademark names should be directed to the original manufacturer.

Technical Support Site

If you encounter any installation or operational issues with your product, check the pertinent section of this manual to see if the issue can be resolved by following outlined procedures.

Visit <https://www.vertiv.com/en-us/support/> for additional assistance.

TABLE OF CONTENTS

Admonishments Used in this Document	iv
Important Safety Instructions	v
Safety Admonishments Definitions.....	v
Safety and Regulatory Statements.....	v
Déclarations de Sécurité et de Réglementation.....	v
1 Introduction	1
1.1 General	1
1.2 Existing System Compatibility.....	1
2 Specifications	2
2.1 DC Output Ratings.....	2
2.2 AC Input Ratings.....	4
2.3 Environmental Ratings.....	6
2.4 Standard Features.....	7
3 Installation	10
3.1 Safety Statement.....	10
3.2 Checking System Compatibility.....	10
3.3 Remove Style Strips from Power Bay.....	11
3.4 Remove the Power Conversion Unit (PCU) or Blank Cover Panel.....	11
3.5 Install the Mounting Frame.....	12
3.6 Install the Rectifiers	16
3.7 Install Remaining Retrofits in Power Bay.....	18
3.8 Reinstall Style Strips on Power Bay	18
3.9 Repeat Procedure for Remaining Power Bays.....	18
3.10 Load Share Alarm	18
3.11 Local Sense	19
3.12 Final Step.....	19
4 Operation	21
4.1 Local Indicators	21
4.2 Rectifier High Voltage Shutdown and Lockout Restart.....	22
5 Troubleshooting and Repair	22
5.1 Troubleshooting.....	22
5.1.1 Rectifier Current Sharing Imbalance.....	22
5.1.2 Rectifier Fault Symptoms and Troubleshooting.....	22
5.2 Replacement Procedures.....	24
5.2.1 Replacing a Rectifier.....	24
5.2.2 Replacing the Rectifier Interface Circuit Card.....	24
5.2.3 Replacing a Fan in a Rectifier.....	27

Admonishments Used in this Document



DANGER! Warns of a hazard the reader **will** be exposed to that will **likely** result in death or serious injury if not avoided. (ANSI, OSHA)



WARNING! Warns of a potential hazard the reader **may** be exposed to that **could** result in death or serious injury if not avoided. This admonition is not used for situations that pose a risk only to equipment, software, data, or service. (ANSI)



CAUTION! Warns of a potential hazard the reader **may** be exposed to that **could** result in minor or moderate injury if not avoided. (ANSI, OSHA) This admonition is not used for situations that pose a risk only to equipment, data, or service, even if such use appears to be permitted in some of the applicable standards. (OSHA)



ALERT! Alerts the reader to an action that **must be avoided** in order to protect equipment, software, data, or service. (ISO)



ALERT! Alerts the reader to an action that **must be performed** in order to prevent equipment damage, software corruption, data loss, or service interruption. (ISO)



FIRE SAFETY! Informs the reader of fire safety information, reminders, precautions, or policies, or of the locations of fire-fighting and fire-safety equipment. (ISO)



SAFETY! Informs the reader of general safety information, reminders, precautions, or policies not related to a particular source of hazard or to fire safety. (ISO, ANSI, OSHA)

Important Safety Instructions

Safety Admonishments Definitions

Definitions of the safety admonishments used in this document are listed under “Admonishments Used in this Document” on page iv.

Safety and Regulatory Statements

Refer to Section 4154 (provided with your customer documentation) for Safety and Regulatory Statements.

Déclarations de Sécurité et de Réglementation

Reportez-vous à la Section 4154 (fourni avec les documents de votre client) pour les déclarations de sécurité et de réglementation.

This page intentionally left blank.

1 Introduction

1.1 General

The Vertiv™ NetSure™ Model V200E50 DC Power Retrofit is a power solution comprising a Mounting Frame that allows two (2) new-generation NetSure Rectifiers (Model R48-5800e, Spec. No. 1R485800e), to be installed in the NetSure Model 1231V1, Spec. No. 582121300 Power Bay. The Retrofit replaces one V200E50 Power Conversion Unit (PCU), and can operate with or without the original PCUs in the same system.

The Vertiv™ NetSure™ Model V200E50 DC Power Retrofit provides load power, battery float current, and battery recharge current during normal operating conditions. Each rectifier in the Retrofit incorporates a constant power design. This means that, within the normal operating ambient temperature range, the maximum output power available is a constant 11,600W per Retrofit. Within the normal temperature range, the rectifiers operate in one of three modes, depending upon load demands. Transition between modes is completely automatic.

- **Constant Voltage Mode:** For any initial output voltage setting from 47 to 58 volts, output voltage remains constant regardless of load. This is the normal operating condition, in which loads are being supplied and batteries are float charged. Rectifiers operate in the Constant Voltage Mode unless load increases to the point where the product of load current and output voltage is approximately 11,600W per V200 Retrofit.
- **Constant Power Mode:** As load increases above approximately 11,600W per V200 Retrofit (non-adjustable), output current continues to increase, but output voltage decreases as required to maintain constant output power. Rectifiers operate in the Constant Power Mode unless load continues to increase to the point where the current limit setting is reached.
- **Constant Current Mode:** If load increases to the current limit setting, output voltage decreases linearly to maintain output current at the current limit setting.

1.2 Existing System Compatibility Matrix

Refer to **Table 1.1** for a compatibility matrix.

Table 1.1 Compatibility Matrix

MCA Controller Version ¹	Release Date	Upgradeable?	Remote Sense Lead Drop ²
5.2.0	After 9/13/2006	NOT REQUIRED	50 mV
5.1.0	After 10/8/2004		
5.0.0	After 9/2/03		
4.9.0 or less to 4.4.3 or better	Prior 9/2003 After 11/2000	YES (requires return of existing MCA and exchange for new version MCA)	--
4.4.2 or less	Prior 11/2000	Cannot Upgrade, Need to Purchase New Version MCA	--

¹ System OK (enter) / Configure Menu (enter) / Verify Inventory (enter) / Navigate to "MCA SWV #####".

² Maximum voltage drop between local bus and sense point.

2 Specifications

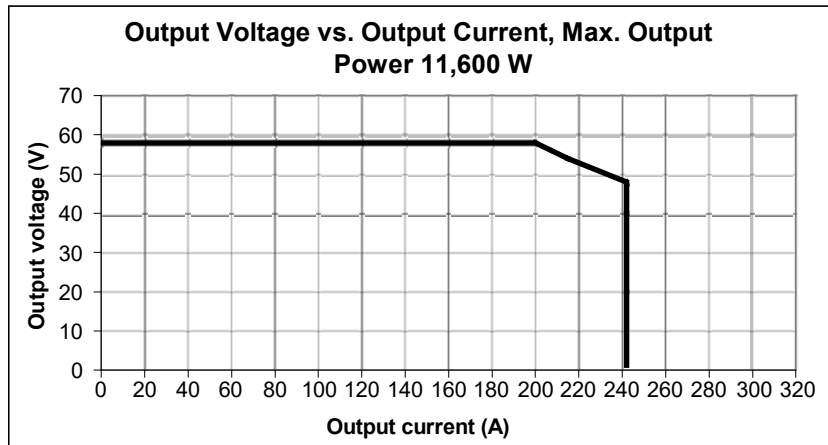
2.1 DC Output Ratings

Voltage: Nominal -48 volts DC, Positive Ground.

- a) Without Battery Charge Temperature Compensation: Float voltage is adjustable from 47.00 to 58.00 volts DC. Test/equalize voltage is adjustable from 45.00 to 58.00 volts DC. Adjustment is made via the system MCA. Refer to System Application Guide SAG582121300 for factory settings of Float and Test/Equalize voltages. The output voltage temperature coefficient (1/°C) does not exceed 0.01% per degree centigrade from 0°C to +40°C.
- b) With Battery Charge Digital Temperature Compensation Probe: This operating parameter is identical in systems equipped with the V200E50 Retrofits and systems equipped with the original V200E50 Power Conversion Units (PCUs). Refer to System Application Guide SAG582121300 for a complete description.
- c) With Battery Charge Analog Temperature Compensation Module: This operating parameter is identical in systems equipped with the V200E50 Retrofits and systems equipped with the original V200E50 Power Conversion Units (PCUs). Refer to System Application Guide SAG582121300 for a complete description.

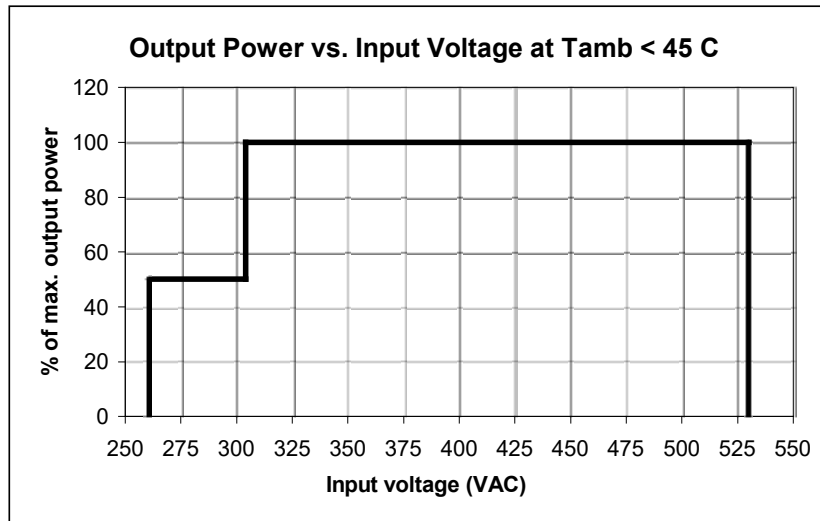
Power and Current, One (1) V200 Retrofit: 11,600W, maximum (200.0A @ 58VDC to 241.6A @ 48VDC). **Figure 2.1** shows the relationship between output voltage and output current at maximum power.

Figure 2.1 Output Voltage vs. Output Current



Power Derating Based on Input Voltage: See **Figure 2.2**.

Figure 2.2 Output Power vs. Input Voltage



Regulation (Rectifier Default):

- a) Voltage Regulation: $\leq \pm 1\%$
- b) Load Regulation: $\leq \pm 0.5\%$
- c) Line Regulation: $\leq \pm 0.1\%$
- d) Overshoot at Startup: $\leq \pm 1\%$
- e) Dynamic Response (at rated input and output voltage values):

Response time is $\leq 200 \mu\text{s}$, and the overshoot is $\leq 5\%$ for load changes at 50%-25%-50% and 50%-75%-50%.

Overshoot or undershoot is $\leq 5\%$ and within $\pm 1\%$ of the regulation band, $\leq 4 \text{ ms}$ at $50 \mu\text{s}$ for load changes at 10%-90% and 90%-10%.

Regulation (via system MCA)

- a) Static: The Power System MCA controls the steady state output voltage to within $\pm 0.5\%$ of any voltage setting within the range of 44.0 to 58.0 volts DC for any and all combinations of load from no load to full load, input voltage, and input frequency at a constant ambient temperature. If the MCA's regulation feature is disabled for any reason, steady state regulation is $\pm 1.0\%$ as controlled within the Rectifiers.
- b) Dynamic Response: For any step load change from 10% to 90% or from 90% to 10% of full rated load within 250 microseconds, shall not cause the voltage measured at the output to overshoot or undershoot more than 5% of the regulated output level within 1 millisecond. The output voltage must return and stay within the $\pm 1\%$ regulation band within 4 milliseconds and within the $\pm 0.5\%$ regulation band within 3 seconds.

Any step change of the line voltage within the range of 260 to 530 volts shall not cause the output voltage to deviate outside the $\pm 0.5\%$ regulation band.

Filtering (with or without battery): Typical readings were taken at nominal input voltage, nominal output voltage, 50% load, and 25°C ambient.

- a) Voice Band Noise: Complies with Telcordia GR-947-CORE.
 - 1. Typically 17.68 dBrn C-message weighting. Does not exceed 32 dBrn C.
 - 2. Typically 0.200 millivolts psophometric. Does not exceed 1 millivolt psophometric.
- b) Wide Band Noise: Complies with Telcordia GR-947-CORE.
 - 1. Typically 45 millivolts peak-to-peak. Does not exceed 200 millivolts peak-to-peak
 - 2. Typically 4.3 millivolts rms. Does not exceed 100 millivolts rms.

2.2 AC Input Ratings

Voltage: Nominal 480 volts AC, single phase, 60 Hz, with an operating range of 260 to 530 volts. Acceptable input frequency range is 45 to 65 Hz.

Safe Voltage: The system can tolerate 600 volts AC without damage.

Total Harmonic Distortion (THD): < 5% from 50% - 100% load.

Inrush Current: Peak does not exceed 1.5 times the steady state peak value of the input current at full load, nominal input voltage, and for any duration of AC input interrupts. Under the above conditions, standard AC distribution circuit breakers will not trip.

Typical Input Data: One (1) V200E50 Retrofit, 60 Hz input.

- a) System output is initially adjusted to 54.48 volts DC as measured at the system sense point at 50% of full load and nominal input. “Percent of Full Load” refers to percent of 200 Amperes.

Table 2.1 Input Characteristics

Nominal Input Voltage	Percent of Full Load	Input Current (Amperes)	Input VA	Input Watts	Power Factor	Efficiency %	Heat Dissipation (BTU/Hr)
480	0	1.14	944	105	0.111	-	358
	25	4.18	3471	3198	0.921	94.59	587
	50	6.90	5730	5579	0.974	96.21	724
	75	10.46	8686	8585	0.988	96.39	1058
	100	13.94	11561	11485	0.993	96.15	1508
	110	14.42	11949	11864	0.993	95.99	1625
	120	14.49	12011	11922	0.992	95.70	1747

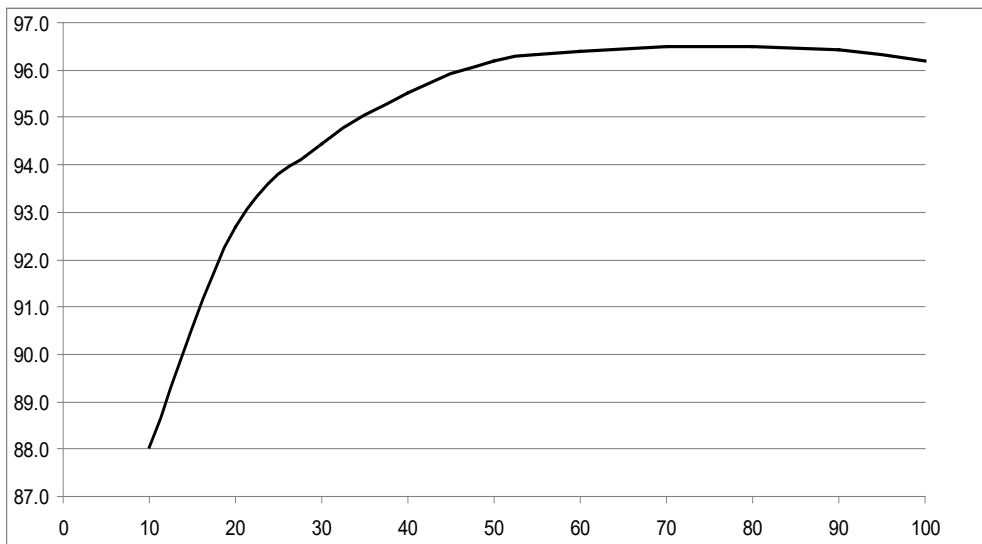
- b) Typical Power Factor: 0.973
- c) Typical Operating Efficiency: 96.39% at best point at 75% of full load
- d) Maximum Input Current: 17.19A
- e) Maximum Input Current: at 100% of full load with output adjusted to 58 volts DC as measured at the Retrofit output terminals, and input voltage as shown.

Table 2.2 Maximum Input Current

Nominal Input Voltage	Input Voltage	Input Current (Amperes)
480	408	17.19

- f) Typical Efficiency versus Output Current: See **Figure 2.3**.

Figure 2.3 Typical Efficiency



2.3 Environmental Ratings

Operating Ambient Temperature Range:

- Operational: -40°C to +65°C (-40°F to +149°F)
- Full Rated Load: -40°C to +45°C (-40°F to +113°F)
- Reduced Load: +45°C to +65°C (+113°F to +149°F). Refer to **Figure 2.4**.

Storage Ambient Temperature Range: -40°C to +80°C (-40°F to +176°F).

Humidity: This system is capable of operating in an ambient relative humidity range of 0% to 90%, non-condensing.

Altitude: 2000 m (6560 ft) at full power (power limited for heights above 2000 m).

Ventilation Requirements: When equipped with V200 Retrofits, a VPS Power Bay must be mounted so ventilating openings are not blocked and temperature of the air entering the cabinet does not exceed the Operating Ambient Temperature Range stated previously.

In addition, the distance from the rear of a VPS Power Bay to a wall or other solid structure must not be less than 15 inches. This will assure proper air flow through the V200 Retrofits.

Audible Noise: The audible noise at any point one meter from any vertical surface of a Power Bay, with one V200 Retrofit installed and fans operating, does not exceed the following typical levels. A Sound Level Meter conforming to ANSI S1.4 was used.

- Fan at Low Speed: < 59 dBA
- Fan at High Speed: < 67 dBA

EMI/RFI Suppression: A V200 Retrofit operating in a NetSure Power Bay conforms to the requirements of FCC rules Part 15, Subpart B, Class A for Radiated and Conducted emissions limits.

Surge Protection: Complies with IEEE C62.41-1991 Class B3, 6kV/3kA (1.2/50 μ s surge voltage and 8/20 μ s surge current).



NOTE! *This level of protection is a widely used standard for telecommunications power equipment. As with all such equipment, it is the end user's responsibility to provide an adequately sized Surge Suppression Device at the commercial power service entrance of the building that reduces all incoming surges to levels below the classes/categories stated for the equipment.*

Compliance Information

- a) Safety: The rectifiers have been recognized to meet the UL/EN/IEC 60950-2000 safety standard and are CE marked.
- b) RoHS: The rectifiers are RoHS compliant, 5/6.

2.4 Standard Features

Type of Power Conversion Circuit: High frequency.

Float Charging Output Mode: This operating parameter is identical in systems equipped with the V200E50 Retrofits and systems equipped with the original V200E50 Power Conversion Units (PCUs). Refer to System Application Guide SAG582121300 for a complete description.

Test/Equalize Charging Output Mode: This operating parameter is identical in systems equipped with the V200E50 Retrofits and systems equipped with the original V200E50 Power Conversion Units (PCUs). Refer to System Application Guide SAG582121300 for a complete description.

Output Mode (Float or Test/Equalize) Selection: This operating parameter is identical in systems equipped with the V200E50 Retrofits and systems equipped with the original V200E50 Power Conversion Units (PCUs). Refer to System Application Guide SAG582121300 for a complete description.

Input Protection:

- a) Input Fusing: Input fusing is provided in each rectifier. This fusing is not customer replaceable.
- b) Input Over-Voltage Protection: A rectifier shuts down and its protection indicator (yellow) illuminates when the input voltage increases to above 530VAC. This condition is reported to the system MCA, which issues an AC Fail alarm. When the AC input voltage decreases to within design parameters, the rectifier automatically restarts.
- c) Input Under-Voltage Protection: A rectifier's protection indicator (yellow) illuminates when the input voltage decreases to below 256VAC. The rectifier shuts down and the system MCA issues an AC Fail alarm if the input voltage decreases to below approximately 248VAC. When the AC input voltage increases to within design parameters, the rectifier automatically restarts.

Output Protection:

- a) Current Limiting: The maximum current delivered by the system can be programmed from 10% to 110% of total system capacity. The system MCA automatically adjusts the current limit circuit on each V200 Retrofit so that this value is not exceeded. If a V200 Retrofit fails, the MCA automatically resets current limit point of each remaining V200 Retrofit to maintain this value. The MCA also insures that the current limit circuit of each remaining V200 Retrofit is not set above 110% of its capacity. The default current limit setting is the sum of the output ratings of each installed V200 Retrofit. If a V200 Retrofit is added to the system, the system current limit is automatically increased by the rating of the new V200 Retrofit and the new current limit value is displayed.

The current limiting point can be adjusted without removing a V200 Retrofit. One adjustment changes the setting of all V200 Retrofits.

The current limit is factory set at 100% of rated full load, unless otherwise specified.

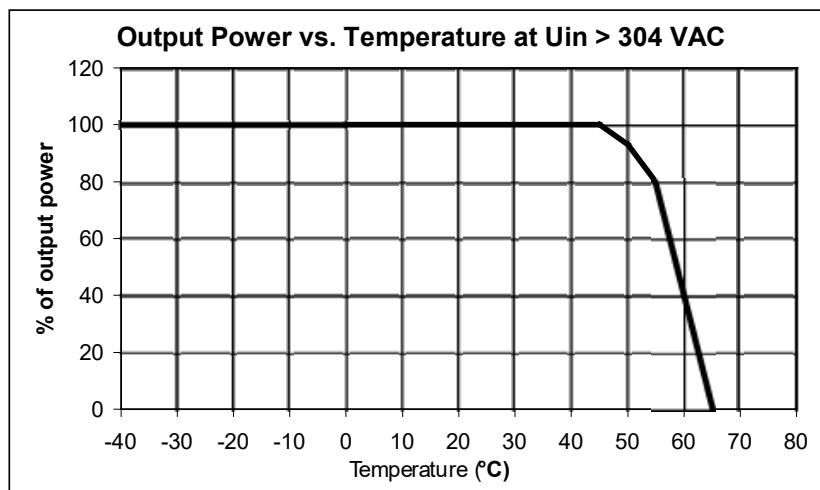
- b) Thermal Power Limiting: Each rectifier continuously monitors the ambient temperature surrounding the power conversion circuit. If this temperature for any reason (such as a high ambient temperature) increases above approximately +45°C (+113°F), the Rectifier will not shut down. Rather, the rectifier will limit its maximum output power to maintain the temperature of the power conversion circuit within design parameters. Operation between +45°C (+113°F) and +65°C (149°F) will result in the output power being decreased. Full power capability is restored when the temperature decreases to below approximately +45°C (+113°F). **Figure 2.4** illustrates typical operating parameters.



WARNING! The module is rated for continuous operation at full output power up to +45°C (+113°F). Operation between +45°C (+113°F) and +65°C (149°F) will result in output power decreasing. Operation above +65°C (+149°F) is considered abnormal and should be used on a temporary¹ basis only.

- ¹ Temporary Operation at Abnormal Temperature: Temporary operation refers to a period of not more than eight consecutive hours per day, and a total of not more than 15 days in a year. (This refers to a total of 120 hours in any given year, but no more than 15 occurrences in that one year period.)

Figure 2.4 Typical Thermal Power Limit Curve



- c) Output Fusing: Output fusing is provided in each Rectifier. If a fuse opens, local and remote Rectifier Fail Alarms activate. This fusing is not customer replaceable.

- d) High Voltage Shutdown (Each Rectifier):

1. Selective: If rectifier output voltage exceeds an adjustable preset value and is delivering more than 10% of its rated current, the rectifier shuts down.

After approximately 6 seconds, the rectifier automatically restarts. If rectifier output voltage again exceeds the high voltage shutdown value within 5 minutes, the rectifier shuts down and locks out. Manual restart is then required (by turning AC power off or removing the rectifier, then reapplying AC power or reinserting the rectifier). If the rectifier does not experience a high voltage condition within the 5 minute time period, the restart circuit is reset.

Only the rectifier causing the high voltage condition shuts down.

Setpoint is adjustable from 56.00 to 59.50 volts DC. Factory set at 57.50 volts, unless otherwise specified. One adjustment at the system MCA changes the setting of all Rectifiers.

2. Backup: If rectifier output voltage exceeds a second (non-adjustable) value, the rectifier shuts down and locks out regardless of load. Manual restart is then required. The backup HVSD setpoint is 59.5V (within the range of 58.5 to 60V).

Load Sharing (via system MCA): The MCA load sharing feature automatically balances the load to within $\pm 2\%$ of the rectifier's rated output current. If the MCA's load sharing feature is disabled for any reason, advanced digital active load sharing technology in each Rectifier balances the load. The MCA's load sharing feature is disabled whenever the system is in current limit, the system is delivering more than 97% capacity, or the system is delivering less than 3% capacity.



NOTE! For optimal load sharing between the V200 Retrofits and legacy V200 PCUs, MCA version 4.2.0 or newer is required. With earlier MCA versions, system functionality is maintained; however, load sharing will not be proportional.

Startup Time: Each rectifier has two startup modes:

- a) Normal Soft Start Time: The duration from the time when the Rectifier is powered on to the time when the Rectifier provides output voltage is <8s.
- b) Current Walk-In: The rise time of the Rectifier output voltage is >8s at 90% of the rated load, and the maximum time is 90s at 100% of the rated load.

Hot Swappable: Each rectifier is designed to be plug-and-play. The rectifier can be inserted or removed from a live DC power system with no damage. When the rectifier is plugged into the system, the system output voltage will not be affected.



NOTE! The Retrofit Mounting Frame CANNOT be installed in or removed from the Power Bay unless all Rectifiers are first removed from the Mounting Frame. Doing so will defeat the precharge circuit in the rectifiers and cause arcing and pitting on the DC power connector!

Cooling: Each rectifier contains two fans for front-to-back forced convection cooling.

Fan Control: When the PFC bus voltage is within a normal range, the built-in processor adjusts the fan's speed according to the Rectifier's internal temperature and output current. For example, a higher temperature or output current will increase the fan speed. Above 45°C at full load, the fan operates at full speed. When the PFC bus voltage is abnormal, such as very low bus voltage, the fan turns off.

Fan Fault Protection: An alarm will be generated upon a fan fault. In such cases, the fault indicator (red) on the Rectifier front panel will flash and the Rectifier will also inhibit its output. Auto-recovery is enabled upon the clearing of the corresponding fault.

Communication Failure: A rectifier's protection indicator (yellow) will begin flashing should it experience a communication failure. The failure information will be reported to the Controller and the Controller will process the failure accordingly. During a communication failure, in order to protect the battery, rectifier output voltage will automatically adjusted to a default value of 53.5 V. The rectifier will revert to normal operation once normal communication is restored.

Imbalance of Rectifier Output Current: When the output current of a rectifier in a DC power system is unbalanced, the rectifier having the unbalanced output current will be identified automatically and its protection indicator (yellow) will illuminate.

The failure information will be reported to the Controller and the Controller will process the failure accordingly.

Paralleling: A Power System equipped with V200 Retrofits may be connected in parallel with any rectifier of the same polarity and adjusted to the same output voltage.

Emergency Shutdown and Fire Alarm Disconnect: The rectifiers can be inhibited by application of an external ground signal to the system. Manual restart is required. This option is selectable on the bays only and not the retrofit shelf.



NOTE! The cooling fans will continue to operate if AC input voltage is present.

Net Weight: 67 Lbs. (Mounting Frame with Two Rectifiers)

3 Installation

3.1 Safety Statement



DANGER! INSTALLERS MUST FOLLOW APPROVED SAFETY PROCEDURES. Hazardous AC and DC power sources are connected to, and are present within, the Power System. Following this installation procedure will minimize the possibility of personal injury or equipment damage. Refer to the documentation provided with your Power System for any installation or maintenance procedures beyond the scope of this upgrade procedure.

The Vertiv™ NetSure™ Model V200E50 DC Power Retrofit is designed to mount in a Model 1231V1, Spec. No. 582121300 Power Bay. Installation in any other Power System should not be attempted.

Installation consists of removing one existing V200E50 Power Conversion Unit (PCU) or blank cover panel from the Power Bay, installing the V200 Retrofit Mounting Frame in the Power Bay, and installing the two furnished NetSure™ R48-5800e Rectifiers in the Mounting Frame.

The Vertiv™ NetSure™ Model V200E50 DC Power Retrofit can be installed while the Power System is in service. Before starting, ensure that all AC input and DC output connections to the Power Bay are intact. No changes or adjustments are required for these connections when installing the Vertiv™ NetSure™ Model V200E50 DC Power Retrofit. All wiring and grounding should follow the current edition of the National Electrical Code and applicable local codes.

Performing this upgrade procedure may activate external alarms. Do one of the following. If possible, disable these alarms. If these alarms cannot be easily disabled, notify the appropriate personnel to disregard any future alarms associated with this system while this procedure is being performed.

Follow the procedures below to replace one or more existing V200E50 Power Conversion Units (Rectifiers) with the Vertiv™ NetSure™ Model V200E50 DC Power Retrofit.

3.2 Checking System Compatibility

Check your system compatibility before starting this procedure as follows.

Procedure

1. With "SYSTEM OK" being displayed on the MCA Interface Pad, check your MCA software version by pressing and releasing the FUNCTION SET ENTER pushbutton.
2. Repeatedly press and release the FUNCTION SELECT DOWN arrow pushbutton until "CONFIGURE MENU" is displayed.
3. Press and release the FUNCTION SET ENTER pushbutton.
4. "VERIFY INVENTORY" is displayed. Press and release the FUNCTION SET ENTER pushbutton.
5. Repeatedly press and release the FUNCTION SELECT DOWN arrow pushbutton until "MCA SWV #####" is displayed.
6. Record the MCA software version number displayed.
7. Refer to **Table 1.1**. If the MCA software version is 5.2, 5.1, or 5.0; proceed with this procedure.

If the MCA software version is 4.9 or less and 4.4.3 or better; return your existing MCA and exchange it for a new version MCA.

If the MCA software version is 4.4.2 or less; purchase a new version MCA.

- To return to the beginning of the MCA Logic Tree, press and release the FUNCTION SET YES (+) and NO (-) pushbuttons simultaneously.

3.3 Remove Style Strips from Power Bay

Procedure

- Remove the two style strips from the front left and right edges of the VPS Power Bay being upgraded. These conceal the mounting hardware. The style strips are secured at the bottom with a captive fastener, and at the top with a pin that passes through a hole in the style strip. To remove the style strip, loosen the captive fastener at the bottom, and slide the bottom of the style strip out and up.

3.4 Remove the Power Conversion Unit (PCU) or Blank Cover Panel

Procedure

- If the mounting position in the Power Bay has a cover panel rather than a V200 PCU, remove the cover panel by first removing the four screws that secure it. Then skip steps 2 and 3.



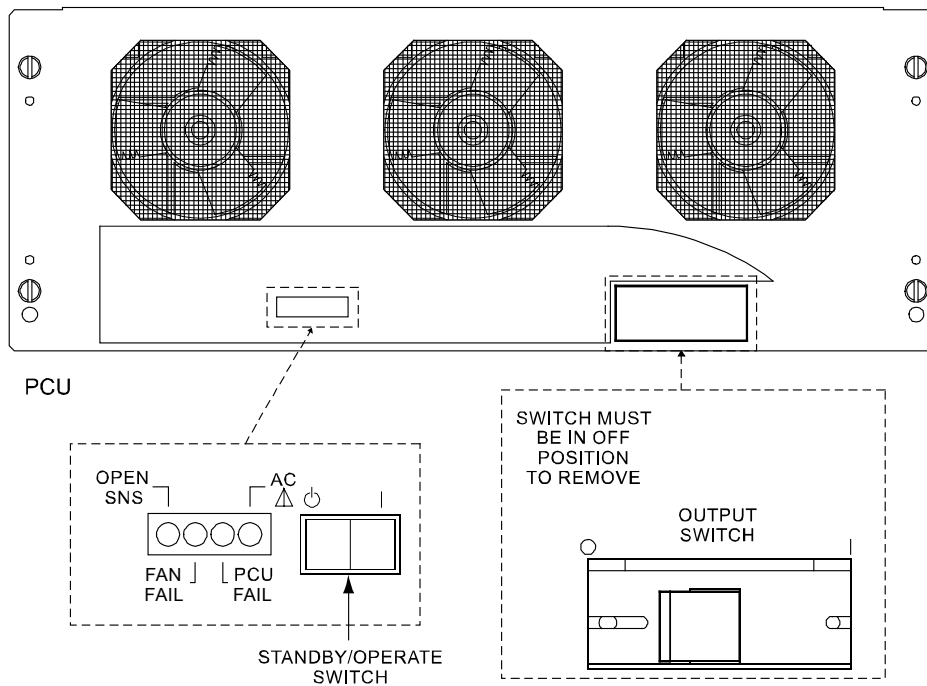
NOTE! In the next step, the OUTPUT SWITCH has a mechanical interlock that prevents a PCU from being plugged into or pulled out of a bay with the device in the "on" position.



CAUTION! In a system with NO redundant Rectifier, battery must have sufficient reserve to power the load(s) while the Rectifier is removed.

- On the PCU to be removed, place the Standby/Operate switch to the "standby" position, then the OUTPUT SWITCH to the "off" position. See **Figure 3.1** for locations.

Figure 3.1 Switch Locations



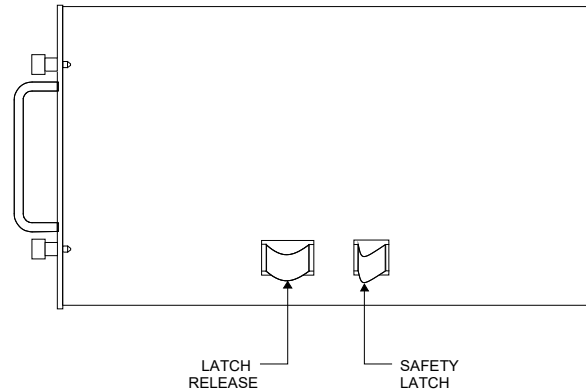
DANGER! In the next step, use two people to remove a PCU. A PCU weighs approximately 80 lbs.



NOTE! In the next step, a safety latch is present on each PCU that prevents the PCU from inadvertently being removed completely from the Power Bay.

- Loosen the captive fasteners on the front of the PCU to be removed. Use the handles provided on the front of the PCU, and pull the PCU out until it is stopped by a safety latch located on the right-hand side panel of the PCU. Refer to **Figure 3.2** for latch and release location. Depress and hold the latch release, and remove the PCU from the Power Bay. Support the bottom of the PCU as you pull it out.

Figure 3.2 Right Side View of V200 PCU Showing Location of Safety Latch and Latch Release



3.5 Install the Mounting Frame

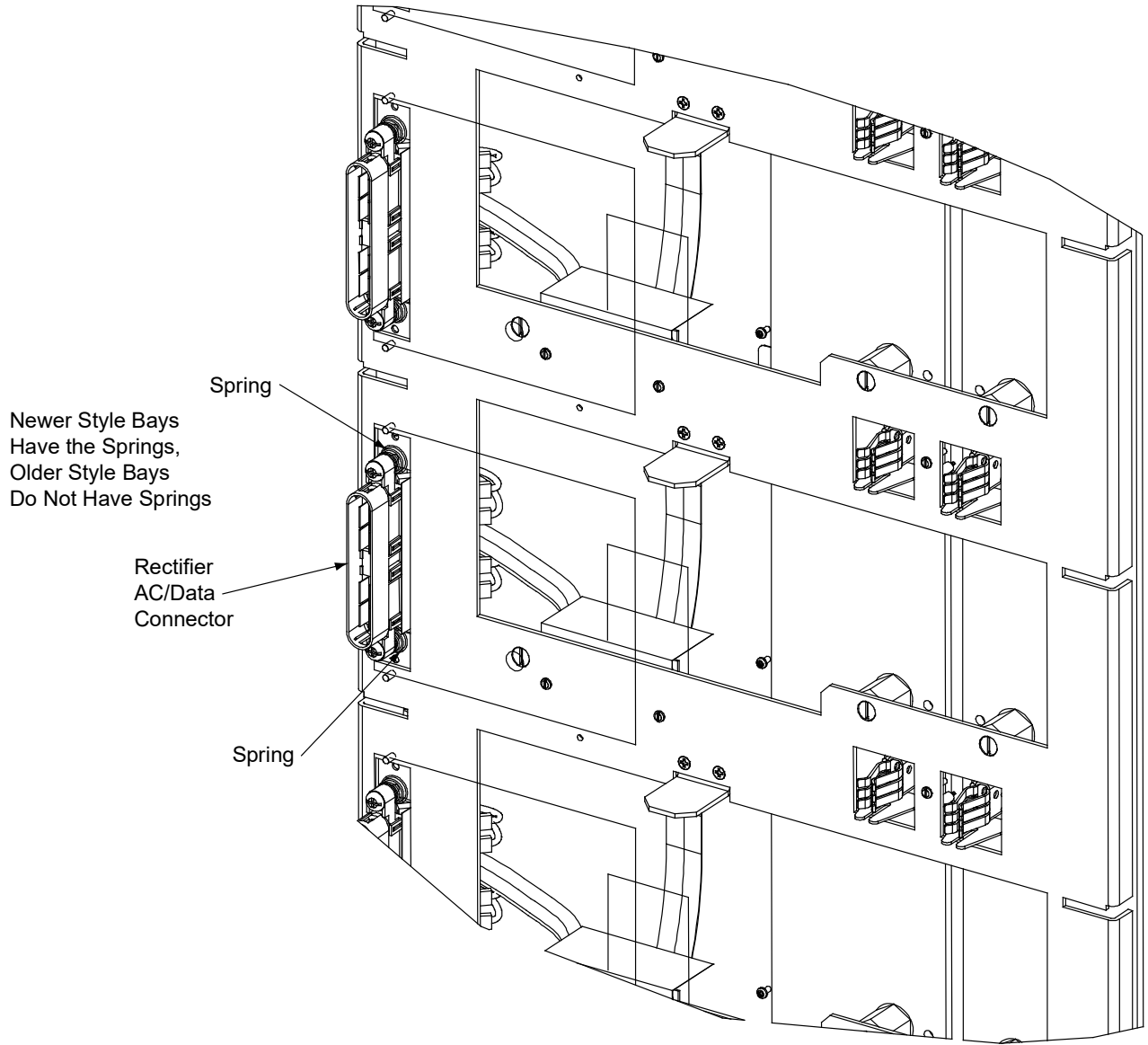
The Retrofit Mounting Frame **CANNOT** be installed in the Power Bay unless all Rectifiers are first removed from the Mounting Frame. Doing so will defeat the precharge circuit in the rectifiers and cause arcing and pitting on the DC power connector!

Checking the Power Bay's Rectifier AC/Data Connector in Older Style Bays

Identifying Older Style Bays

- Older style bays have Rectifier AC/Data connectors that do not have springs as shown in **Figure 3.3**. In bays that have Rectifier AC/Data connectors without springs, perform the following procedure.

Figure 3.3 Identifying Older Style Bays



Check Procedure (Older Style Bays Only)

1. With the PCU removed, use a quality wooden carpenter's ruler or other non-conductive rule. Place the measuring device directly against the unpainted bracket holding the AC/Data connector. Take two measurements, one on the bottom of connector directly next to the bolt through the black ac housing, and note the distance to the front outside of the left side panel. Take second measurement on the top of the AC/Data connector. Both must measure $15\text{-}5/16\text{''} + 1/16\text{''}$ or $-1/16\text{''}$ tolerance. See **Figure 3.4**.

Figure 3.4 Taking Measurements

2. Pay close attention to the measurements, they must be within $15\text{-}1/4\text{''}$ to $15\text{-}3/8\text{''}$. If a measurement is greater than $15\text{-}3/8\text{''}$ or less than $15\text{-}1/4\text{''}$, adjustment is required (see next procedure).

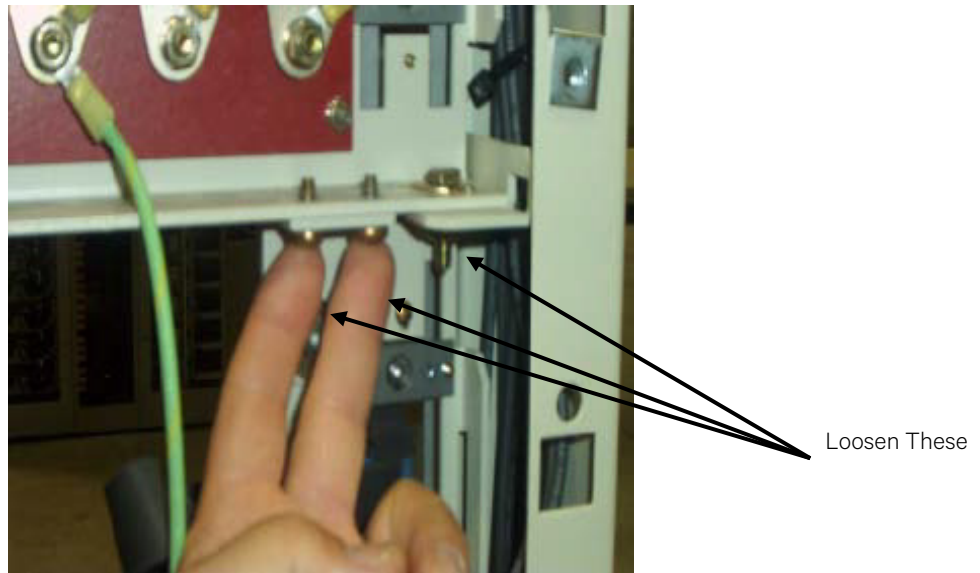
Adjustment Procedure (Older Style Bays Only, if required)

1. When adjustment of the PCU slot is required, it is recommended to remove the PCU below the slot which requires adjustment. This allows the AC/Data connector to be moved as required to properly set the $15\text{-}5/16\text{''}$ measurements.

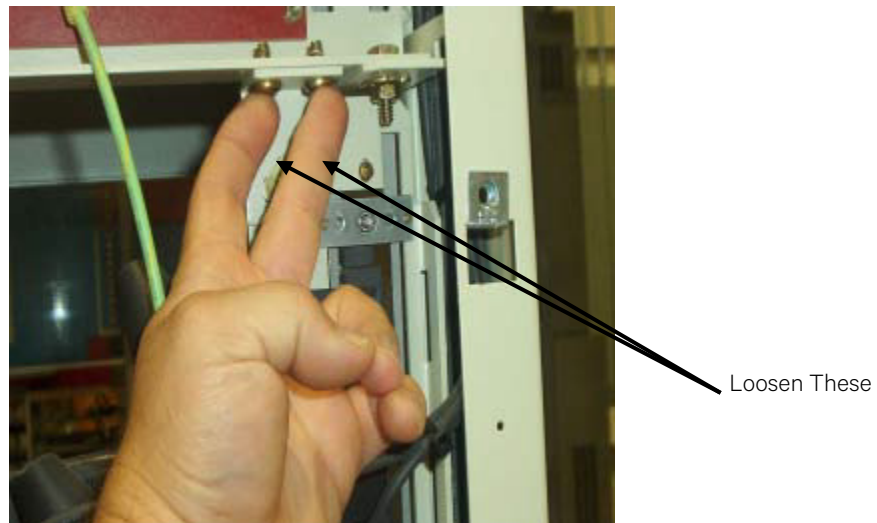


NOTE! *The MCA will alarm with the removal of any PCU, so be aware Minor and Major alarms could be generated during this process.*

2. In the PCU slot to be adjusted, remove the rear sheet metal panel on the rear of bay and locate the two Philips $1/4\text{''}$ self tapping screws at the bottom of panel, which holds the AC connector. Loosen these screws. See **Figure 3.5**.
3. Directly to the right of the two Philips screws is a single $1/4\text{''}$ inch hex bolt which also must be loosened for lower adjustment. See **Figure 3.5**.

Figure 3.5 Locating the Bottom Two 1/4" Self Tapping Screws and 1/4" Hex Bolt

- Next loosen the two Philips 1/4" self tapping screws at the top of the PCU position to be adjusted. See **Figure 3.6**.

Figure 3.6 Locating the Top Two 1/4" Self Tapping Screws

- With hardware loosened, measure the bottom first for a 15-5/16" and secure the single 1/4" hex bolt first.
- With bottom secured at 15-5/16", move to the top of the AC connector and measure for 15-5/16", then secure the two Philips screws at the top of the back plane sheetmetal.



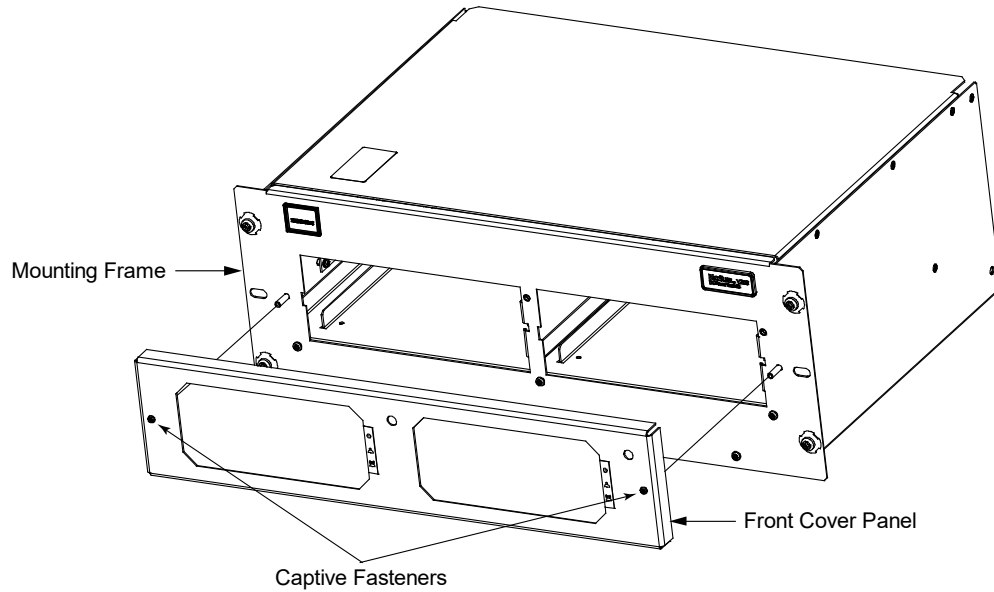
NOTE! The process of measurement and securing the hardware may take two people to keep the panel from moving when retorquing the hardware.

- Torque the top and bottom 1/4" screws (2 each) and bottom 1/4" bolt to 84 in-lbs.
- Recheck the measurements by performing the previous procedure to verify the proper measurements.

Mounting Procedure

1. Remove the front cover panel from the Mounting Frame by first loosening two captive fasteners. Refer to **Figure 3.7**.

Figure 3.7 Removing the Cover Panel from the Mounting Frame



NOTE! *In the next step, the Mounting Frame CANNOT be installed in the Power Bay unless all Rectifiers are first removed from the Mounting Frame. Doing so will defeat the precharge circuit in the rectifiers and cause arcing and pitting on the DC power connector!*

2. Ensure no Rectifiers are present in the Mounting Frame.
3. Slide the empty Mounting Frame into an open mounting position in the Power Bay.
4. Using the hardware supplied, secure the Mounting Frame to the Power Bay.

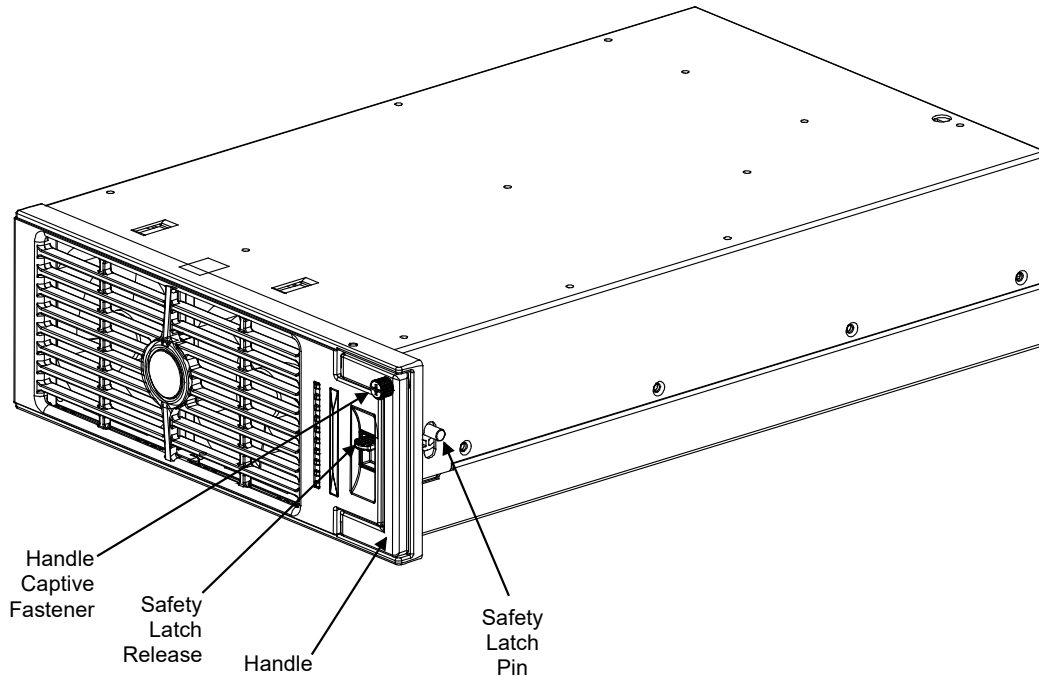
Electrical Connections

All electrical connections to the Mounting Frame are made automatically when the Mounting Frame is installed in the Power Bay. No additional connections are required.

3.6 Install the Rectifiers

Procedure

1. Place one Rectifier into an unoccupied mounting position in the Mounting Frame without sliding it in completely.
2. Push the “Safety Latch Release” located on the front of the Rectifier UP. Refer to **Figure 3.8** for an illustration.

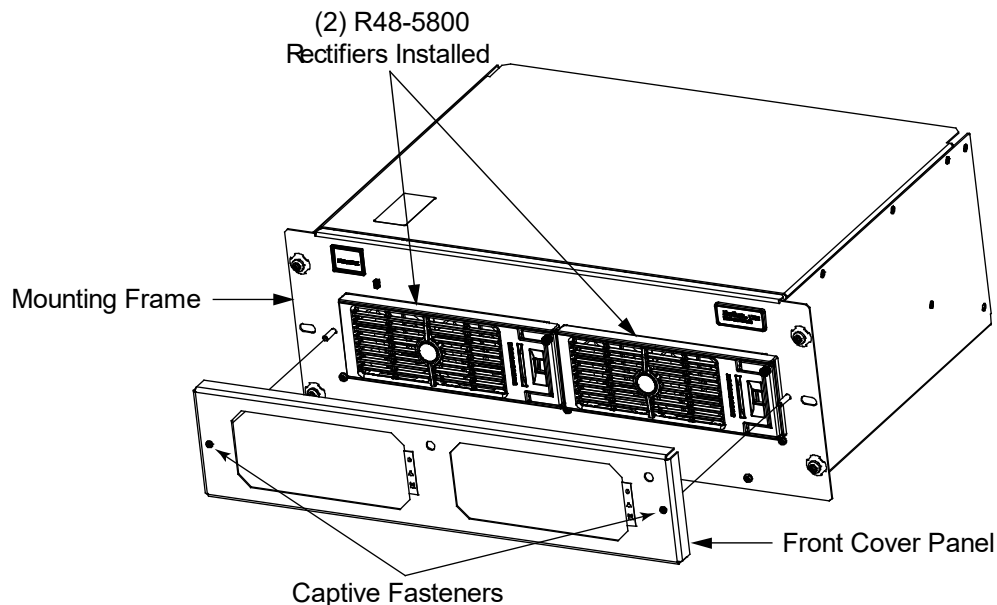
Figure 3.8 Rectifier Handle and Safety Latch

3. Gently push the Rectifier into the Mounting Frame until it stops. Note that the Rectifier will NOT be completely seated in the Mounting Frame until the next step is performed.
4. Push the “Safety Latch Release” located on the front of the Rectifier DOWN. Gently push the Rectifier into the Mounting Frame until it is completely seated.
5. Push the Rectifier handle in and secure the Rectifier to the bay by tightening the captive fastener located on the handle.
6. Repeat Step 1 through 5 for each of the remaining Rectifiers.
7. After the Rectifiers are physically installed in the Mounting Frame, they are ready for operation immediately after power is supplied to them.
8. On the Power System controller (MCA), update the system inventory as necessary. Refer to the Power System documentation for a procedure.



NOTE! The MCA identifies the entire Retrofit Assembly as one PCU.

9. Ensure that there are no local or remote alarms active on the system.
10. Install the front cover on the Mounting Frame. Secure by tightening the two captive fasteners. Refer to **Figure 3.9**.

Figure 3.9 Securing Front Cover Panel

3.7 Install Remaining Retrofits in Power Bay

Repeat the installation procedure for each V200 Retrofit remaining to be installed in the Power Bay.

3.8 Reinstall Style Strips on Power Bay

After all Retrofits have been installed in the Power Bay, replace the left and right style strips on the front of the bay by sliding the top of the style strip up and over the pin located on top of the bay, then sliding the bottom in and securing with the captive fastener.

3.9 Repeat Procedure for Remaining Power Bays

Repeat the entire installation procedure for any remaining Power Bays in the Power System that are to receive the V200 Retrofit.

3.10 Load Share Alarm

When mixing the retrofit rectifiers with existing rectifiers in the same system, turn off the load share alarm as follows.

Procedure

1. With "SYSTEM OK" being displayed on the MCA Interface Pad, press and release the FUNCTION SET ENTER pushbutton.
2. Repeatedly press and release the FUNCTION SELECT DOWN arrow pushbutton until "CONFIGURE MENU" is displayed.
3. Press and release the FUNCTION SET ENTER pushbutton.
4. Repeatedly press and release the FUNCTION SELECT DOWN arrow pushbutton until "SHARE ALARM OFF" or "SHARE ALARM ON" is displayed.
5. If "SHARE ALARM ON" is displayed, perform steps 6) through 8) to toggle this setting to off. If "SHARE ALARM OFF" is displayed, proceed with step 8).
6. To toggle this setting, press and release the ALARM CUTOFF and FUNCTION SET ENTER pushbuttons simultaneously.
7. "ARE YOU SURE? +/-" is displayed. Press and release the FUNCTION SET YES (+) pushbutton.

8. Press and release the FUNCTION SET YES (+) and NO (-) pushbuttons simultaneously, to return to the beginning of the MCA menu tree.

3.11 Local Sense

If the system is wired for remote sense, it is recommended to switch to local sense as follows.

Procedure

1. Open the top access door located on the rear of the 1st VPS Power Bay (the bay with rectifiers #1-7) by loosening the two captive fasteners.



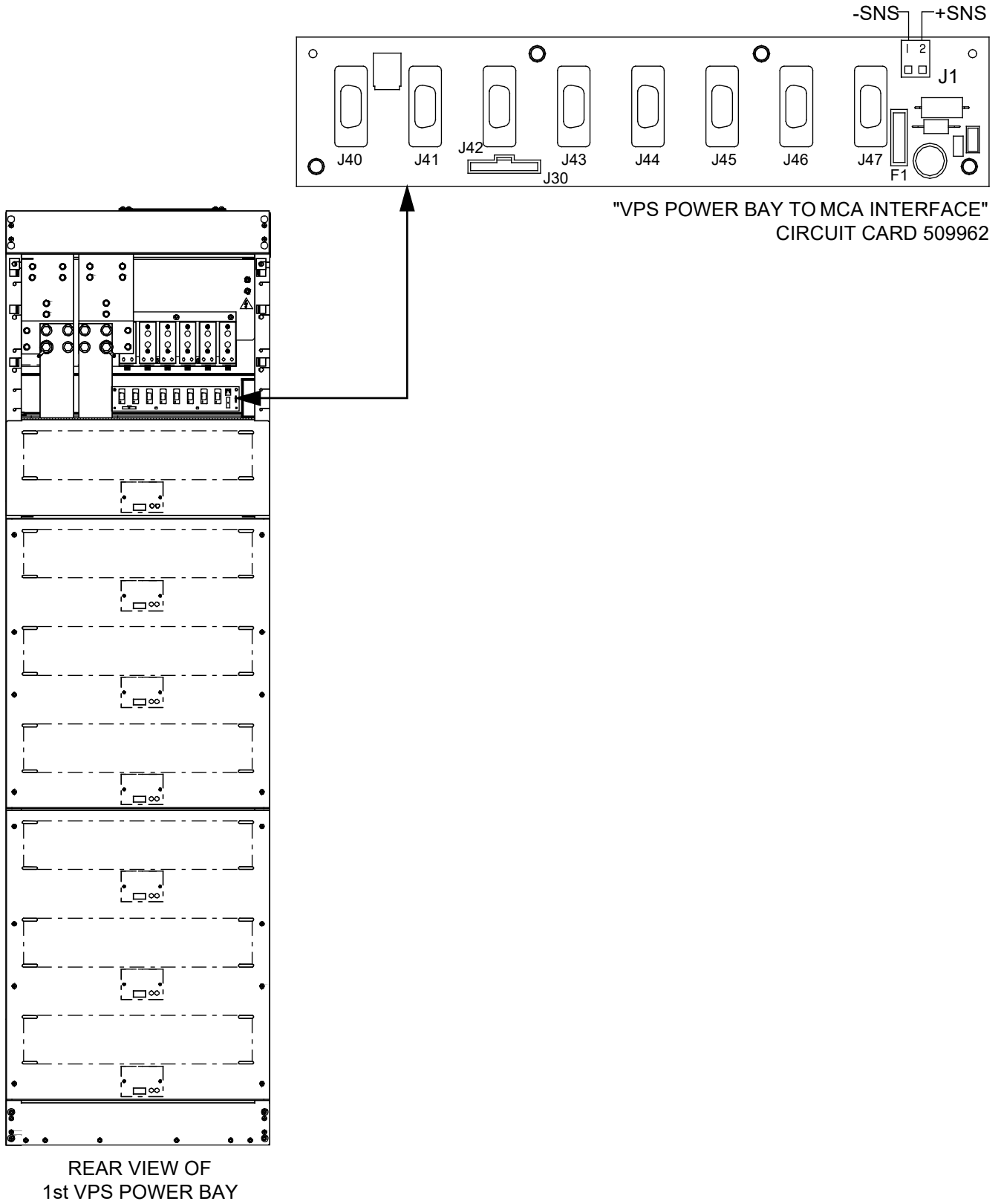
DANGER! Hazardous AC and DC voltages are present on terminations behind the access door.

2. Refer to **Figure 3.10** and locate "VPS Power Bay to MCA Interface" circuit card 509962. Locate connector J1 on the circuit card.
3. If the wires connected to J1 run to the busbars on the upper left of the bay, the unit is locally sensed. If the wires connected to J1 run to a remote point elsewhere within the plant, it is remote sensed. The load sharing performance of the Retrofit rectifiers will be better when locally sensed.
4. If the system is determined to be wired for remote sense, carefully change it over for local sense as follows. Disconnect, insulate, and tie back the remote sense leads connected to J1. Connect a 20 AWG local sense lead from the Bay's Positive output busbar to terminal 2 of J1. Connect a 20 AWG local sense lead from the Bay's Negative output busbar to terminal 1 of J1.

3.12 Final Step

Enable the external alarms, or notify appropriate personnel that this procedure is finished.

Figure 3.10 VPS Power Bay to MCA Interface Circuit Card 509962



4 Operation

4.1 Local Indicators

Four indicators are located on the front panel of each rectifier in the V200 Retrofit. The functions of these indicators are as shown in **Table 4.1**. Refer to **Figure 4.1** for the location and identification of the local indicators.

NOTE! DC voltage must be present at the V200 Retrofit output terminals, (from battery or an operating rectifier) for local indicators to illuminate.

Figure 4.1 Status Indicators

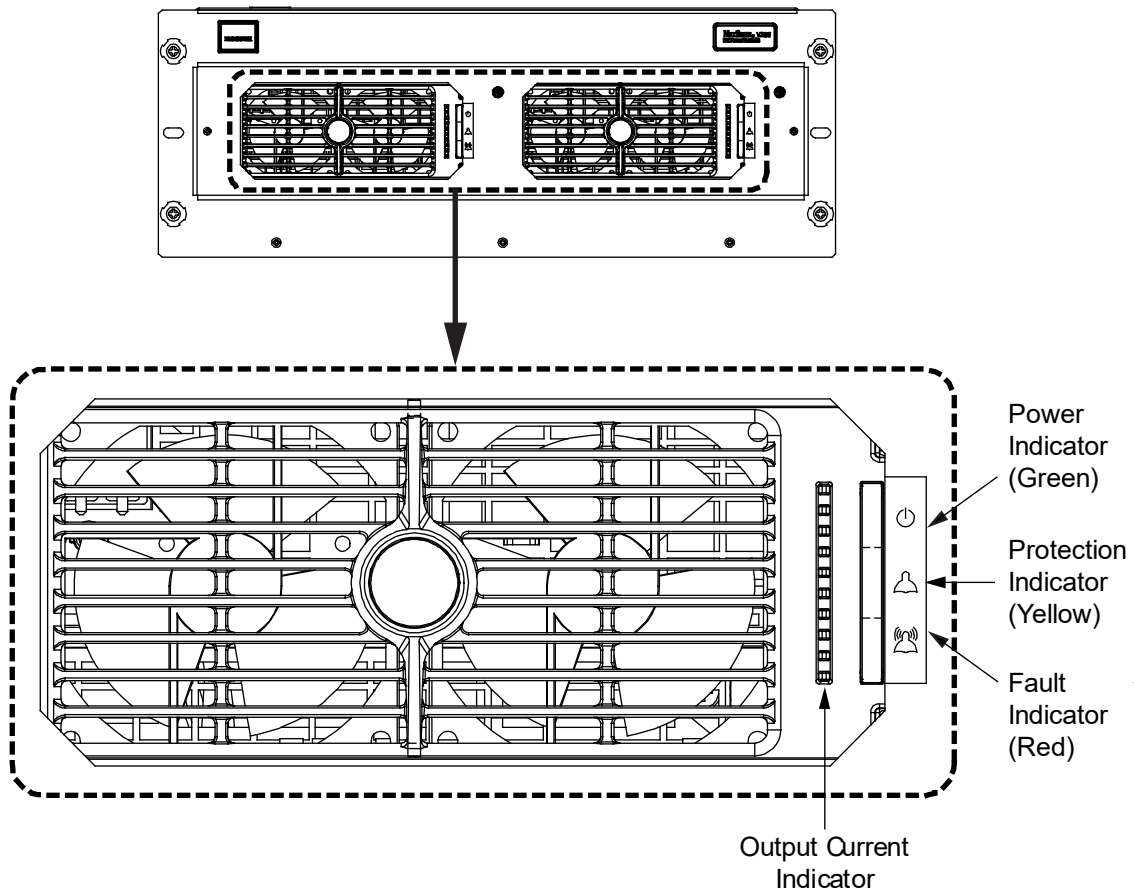






Table 4.1 Local Indicators

Indicator	Normal State	Fault State	Fault Cause
 Power (Green)	On	Off	No input voltage. Internal input fuse open.
 Protection (Yellow)	Off	On	AC input under/over voltage. PFC output under/over voltage. High temperature. Load sharing imbalance.
		Flashing	Rectifier communication failure.
 Alarm (Red)	Off	On	Rectifier output disabled for any reason (including overvoltage shutdown and internal output fuse open). Rectifier addresses contradictory.
		Flashing	Faulty fan (Rectifier shuts down).
 Current	On	--	Shows the output current. Each LED segment represents 10A. If the Rectifier is in current limit (output current > 100A), the tenth LED will blink.

4.2 Rectifier High Voltage Shutdown and Lockout Restart

Procedure

1. Turn AC power to the V200 Retrofit OFF or remove the rectifier from the V200 Mounting Frame, wait 30 seconds or more; then turn AC power to the V200 Retrofit ON or re-insert the rectifier. Refer to “Replacing a Rectifier” on page 24 for a rectifier removal procedure.

5 Troubleshooting and Repair

5.1 Troubleshooting

5.1.1 Rectifier Current Sharing Imbalance

When multiple Rectifiers are operating in parallel and the current sharing imbalance among them is greater than 3%, check to verify the Rectifier is properly seated in the Mounting Frame. (Refer to “Replacing a Rectifier” on page 24 for procedure to remove and reinstall a Rectifier.)

If the current sharing imbalance still persists following the verification suggested above, replace the rectifier exhibiting the current imbalance.

5.1.2 Rectifier Fault Symptoms and Troubleshooting




The Power System controller (MCA) provides the same fault indications for the Retrofit as for the original V200E50 PCUs. Refer to your Power System documentation for details.



NOTE! The system MCA identifies each V200 Retrofit as one PCU. If a PCU fault condition is indicated, observe the local indicators on the Rectifiers in that Retrofit to localize the fault to one Rectifier.

The fault indicators that each Rectifier can display are as follows: Power indicator (green) OFF, Protection indicator (yellow) ON or FLASHING, and Alarm indicator (red) ON or FLASHING. Refer to **Table 5.1** for a list of possible causes and corrective actions.

Table 5.1 Rectifier Fault Symptoms and Troubleshooting

Symptom	Possible Cause(s)	Suggested Action(s)
 Power Indicator (Green) Off	No input voltage.	Verify input voltage is available.
	Internal Input fuse open.	Replace the Rectifier.
 Protection Indicator (Yellow) On	AC input voltage outside the normal range.	Correct the AC input voltage to within the acceptable range.
	PFC over-voltage.	Replace the Rectifier.
	Current sharing imbalance.	See "Rectifier Current Sharing Imbalance" on page 22.
	Rectifier over-temperature protection, which could be caused by:	
	1. Fan rotor blocked.	Remove any object that may be blocking the fan rotor.
	2. Ventilation blocked (inlet or outlet).	Remove any object that may be blocking the inlet or outlet.
	3. Ambient temperature too high or Rectifier inlet too close to a heat source.	Lower the ambient temperature or relocate the heat source.
	Rectifier not inserted into the slot completely.	Remove and properly inset the Rectifier.
Protection Indicator (Yellow) Flashing	Rectifier communication failure.	Check the communication cables. Remove and properly insert the Rectifier. Replace Interface Circuit Card.
 Alarm Indicator (Red) On	Overvoltage shutdown. Internal output fuse open.	Remove the Rectifier from the Mounting Frame and then reinstall after 30 seconds. If Rectifier fails to start or shuts down again, replace Rectifier.
	Alarm Indicator (Red) Flashing	Fans not operating (Rectifier shuts down)

5.2 Replacement Procedures

5.2.1 Replacing a Rectifier



DANGER! Use caution when removing a Rectifier that has been operating, as Rectifier surfaces could be very hot.



WARNING! In order to prevent damage to the latching mechanism, do not use excessive force on the Rectifier handle when pushing the Rectifier into the Mounting Frame.



CAUTION! In a system with NO redundant Rectifier, battery must have sufficient reserve to power the load(s) while the Rectifier is removed.

Rectifiers can be inserted or removed with power applied (hot swappable).

Procedure

1. Performing this procedure may activate external alarms. Do one of the following. If possible, disable these alarms. If these alarms cannot be easily disabled, notify the appropriate personnel to disregard any future alarms associated with this system while this procedure is being performed.
2. Remove the front cover panel from the Mounting Frame by first loosening two captive fasteners. Refer to **Figure 3.7**.
3. THIS STEP MUST BE PERFORMED WITH THE “SAFETY LATCH RELEASE” IN THE DOWN (LOCKED) POSITION. On the Rectifier to be removed, loosen the captive fastener (located on the Rectifier’s handle) securing the Rectifier to the Mounting Frame. Pull the handle out, and gently pull the Rectifier out until it stops. The Rectifier CANNOT be completely removed until the next step is performed. Refer to **Figure 3.8** for an illustration.
4. Push the “Safety Latch Release” located on the front of the Rectifier UP. Slide the Rectifier completely out of the Mounting Frame.
5. Place the new Rectifier into its mounting position in the Mounting Frame without sliding it in completely.
6. Push the “Safety Latch Release” located on the front of the Rectifier UP. Refer to **Figure 3.8** for an illustration.
7. Gently push the Rectifier into the Mounting Frame until it stops. Note that the Rectifier will NOT be completely seated in the Mounting Frame until the next step is performed.
8. Push the “Safety Latch Release” located on the front of the Rectifier DOWN. Gently push the Rectifier into the Mounting Frame until it is completely seated.
9. Push the Rectifier handle in and secure the Rectifier to the bay by tightening the captive fastener located on the handle.
10. After the Rectifier is physically installed in the Mounting Frame, it is ready for operation immediately after power is supplied to it. Verify that the Rectifier is operating normally.
11. On the Power System controller (MCA), update the system inventory as necessary. Refer to the Power System documentation for a procedure.
12. Ensure that there are no local or remote alarms active on the system.
13. Install the front cover on the Mounting Frame. Secure by tightening the two captive fasteners. Refer to **Figure 3.9**.

5.2.2 Replacing the Rectifier Interface Circuit Card

One Rectifier Interface Circuit Card, Part No. 547568, is located within the V200 Retrofit Mounting Frame. To replace this circuit card perform the following procedure.



CAUTION! When performing any step in this procedure that requires removal or installation of hardware, use caution to ensure no hardware is dropped and left inside the cabinet; otherwise service interruption or equipment damage may occur.



WARNING! Circuit cards used in this equipment contain static-sensitive devices. Read the Static Warning page at the front of this document before performing the following procedure.



NOTE! When performing any step in this procedure that requires removal of existing hardware, retain all hardware for use in subsequent steps.

Procedure

1. Performing this procedure may activate external alarms. Do one of the following. If possible, disable these alarms. If these alarms cannot be easily disabled, notify the appropriate personnel to disregard any future alarms associated with this system.
2. Remove the front cover panel from the Mounting Frame by first loosening two captive fasteners. Refer to **Figure 3.7**.



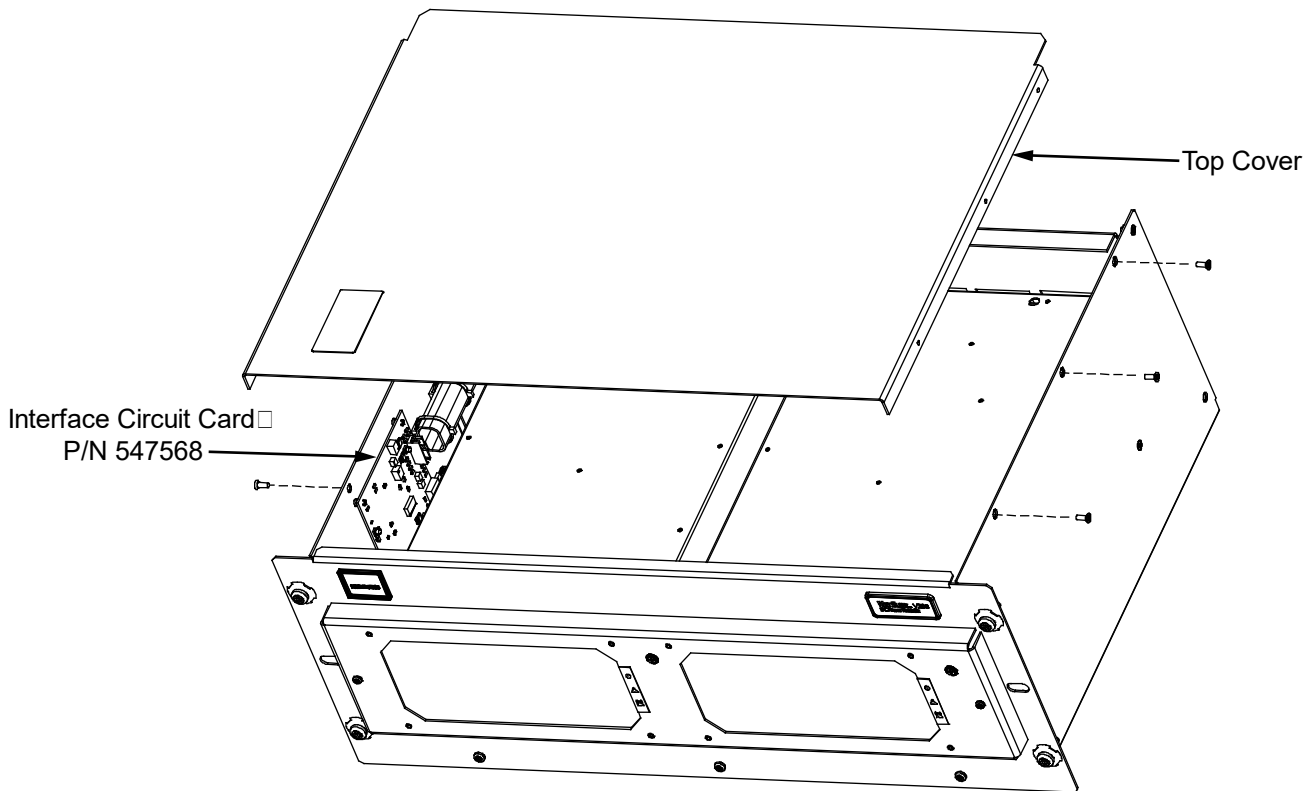
NOTE! *The Retrofit Mounting Frame CANNOT be installed in or removed from the Power Bay unless all Rectifiers are first removed from the Mounting Frame. Doing so will defeat the precharge circuit in the rectifiers and cause arcing and pitting on the DC power connector!*

3. Remove both Rectifiers from Mounting Frame. Refer to the previous procedure, “Replacing a Rectifier”, for step-by-step instructions.
4. Remove the two style strips from the front left and right edges of the VPS Power Bay being upgraded. These conceal the mounting hardware. The style strips are secured at the bottom with a captive fastener, and at the top with a pin that passes through a hole in the style strip. To remove the style strip, loosen the captive fastener at the bottom, and slide the bottom of the style strip out and up.
5. Remove the four screws that secure the Mounting Frame to the Power Bay. Remove the Mounting Frame to a static-safe work station.



WARNING! Damage to the circuit card may result if the next step is not followed.

6. Connect an approved grounding strap to your wrist. Attach the other end to a suitable ground.
7. Remove the top cover from the Mounting Frame by first removing three screws from each side along the top. Refer to **Figure 5.1**.
8. Locate the interface circuit card, Part No. 547568. Refer to **Figure 5.1**.

Figure 5.1 Replacing the Rectifier Interface Circuit Card

9. Disconnect two (2) cables from the interface circuit card.
10. Remove the one screw that secures the circuit card. Carefully lift the circuit card from its mounting posts, and remove.
11. Place the circuit card over its mounting posts and carefully press down at each post until fully seated. Install and tighten the one mounting screw.
12. Connect the two cables previously disconnected.
13. Install the top cover on the Mounting Frame and secure with the six previously removed screws.
14. Remove the grounding wrist strap.



NOTE! In the next step, the Retrofit Mounting Frame CANNOT be installed in the Power Bay unless all Rectifiers are first removed from the Mounting Frame. Doing so will defeat the precharge circuit in the rectifiers and cause arcing and pitting on the DC power connector!

15. Slide the Mounting Frame into its mounting position in the Power Bay. Secure with the four previously removed screws.
16. Install the two Rectifiers into the Mounting Frame. Refer to the previous procedure, "Replacing a Rectifier", for step-by-step instructions.
17. After the Rectifiers are physically installed in the Mounting Frame, they are ready for operation immediately after power is supplied to them. Verify that the Rectifiers are operating normally.
18. On the Power System controller (MCA), update the system inventory as necessary. Refer to the Power System documentation for a procedure.

19. Ensure that there are no local or remote alarms active on the system.
20. Install the front cover on the Mounting Frame. Secure by tightening the two captive fasteners. Refer to **Figure 3.9**.

5.2.3 Replacing a Fan in a Rectifier

Each Rectifier in a Mounting Frame uses two fans for cooling. If fan replacement should become necessary, perform the following procedure. It is recommended that both fans in the Rectifier be replaced at the same time.

Refer to **Figure 5.2** as this procedure is performed.



CAUTION! In a system with NO redundant Rectifier, battery must have sufficient reserve to power the load(s) while the Rectifier is removed for fan replacement.



WARNING! Circuit cards used in this equipment contain static-sensitive devices. Read the Static Warning page at the front of this document before performing the following procedure.

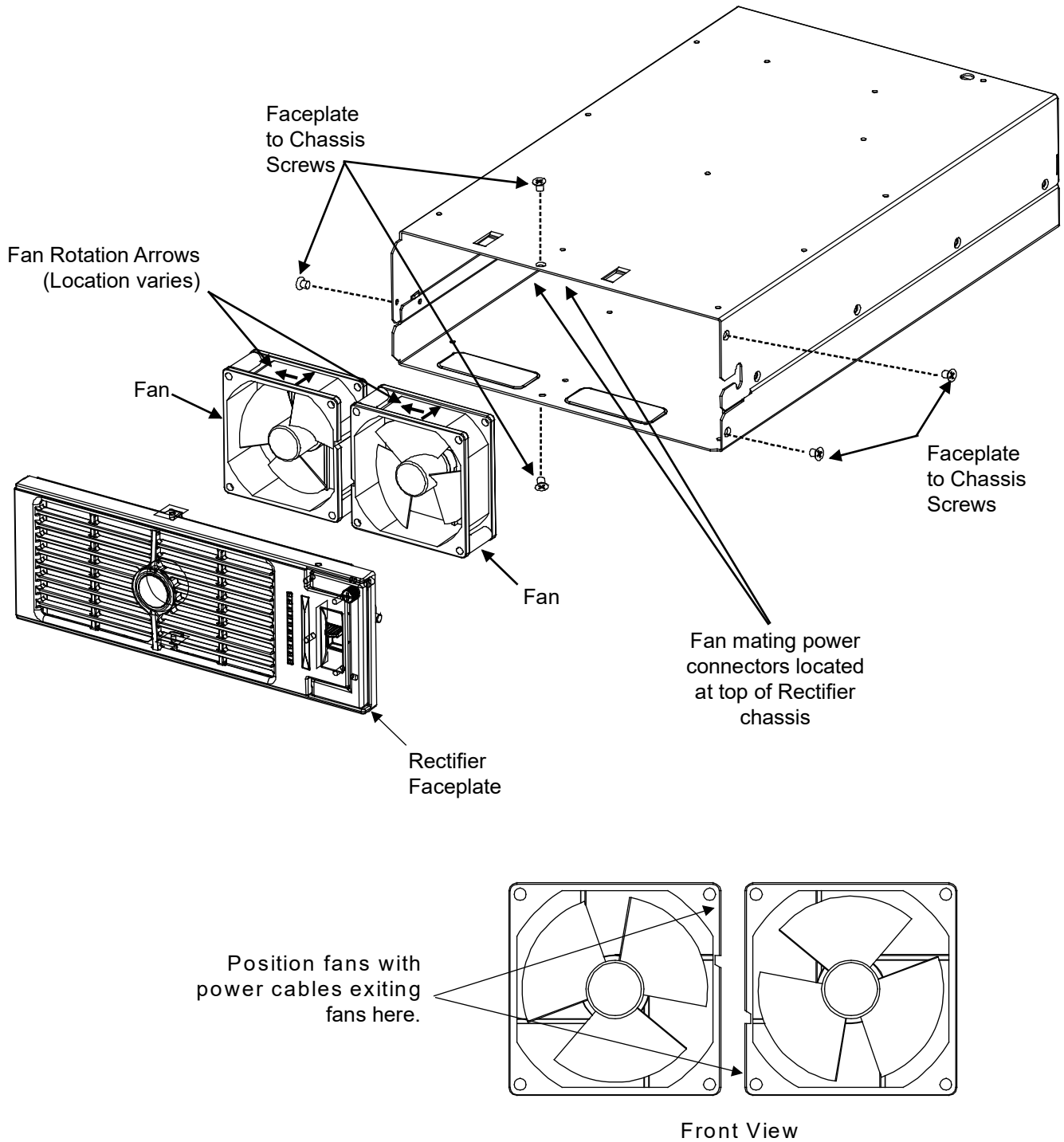


NOTE! When performing any step in this procedure that requires removal of existing hardware, retain all hardware for use in subsequent steps.

Procedure

1. Performing this procedure may activate external alarms. Do one of the following. If possible, disable these alarms. If these alarms cannot be easily disabled, notify the appropriate personnel to disregard any future alarms associated with this system while this procedure is being performed.
2. Remove the Rectifier from the Mounting Frame. Refer to a previous procedure, “Replacing a Rectifier”, for step-by-step instructions.
3. Place the Rectifier on a static-safe work surface. Connect an approved grounding strap to your wrist for the remainder of this procedure.
4. Remove the five (5) faceplate mounting screws shown in **Figure 5.2** from the Rectifier. Remove the faceplate.
5. Carefully pull the fan(s) out from the Rectifier chassis, until the fan power cable(s) can be accessed.
6. Unplug the fan power cable(s) from connector(s) on the PC board, and remove the fan(s).
7. Plug the power cable(s) of the replacement fan(s) into the connector(s) on the PC board.
8. Place each fan in its cavity in the Rectifier chassis, orienting the fan so that:
 - a) The arrow on the fan body points toward the rear of the Rectifier, and
 - b) The power cable exits the fan body toward the other fan, as shown in **Figure 5.2**.
9. Reinstall the faceplate on the Rectifier chassis. Ensure that no fan wiring is pinched. Secure faceplate with the five (5) previously removed screws.
10. Reinstall the Rectifier into the Mounting Frame. Refer to a previous procedure, “Replacing a Rectifier”.
11. When the fans start, check to ensure that each is providing front-to-back airflow. If air direction is wrong, immediately remove the Rectifier from the Mounting Frame. Repeat previous steps to check fan orientation, and correct as necessary. Reinstall the Rectifier and again check for proper airflow.
12. Enable the external alarms, or notify appropriate personnel that this procedure is finished.
13. Ensure that there are no local or remote alarms active on the system.

Figure 5.2 Rectifier Fan Replacement



Connect with Vertiv on Social Media



<https://www.facebook.com/vertiv/>



<https://www.instagram.com/vertiv/>



<https://www.linkedin.com/company/vertiv/>



<https://www.twitter.com/vertiv/>



Vertiv.com | Vertiv Headquarters, 505 N Cleveland Ave, Westerville, OH 43082, USA

© 2023 Vertiv Group Corp. All rights reserved. Vertiv™ and the Vertiv logo are trademarks or registered trademarks of Vertiv Group Corp. All other names and logos referred to are trade names, trademarks or registered trademarks of their respective owners. While every precaution has been taken to ensure accuracy and completeness here, Vertiv Group Corp. assumes no responsibility, and disclaims all liability, for damages resulting from use of this information or for any errors or omissions.