

Vertiv™ Liebert® ITA2 Battery Cabinet



Quick Installation Guide

IMPORTANT: Before installing, connecting to supply or operating your Vertiv™ Liebert® ITA2 Battery Cabinet, please review the Safety and Regulatory Statements sheet. For detailed installation, operating, maintenance and troubleshooting information visit the Liebert ITA2 product page for the Liebert ITA2 Battery Cabinet Installer/User Guide available at www.Vertiv.com or use the QR code below.

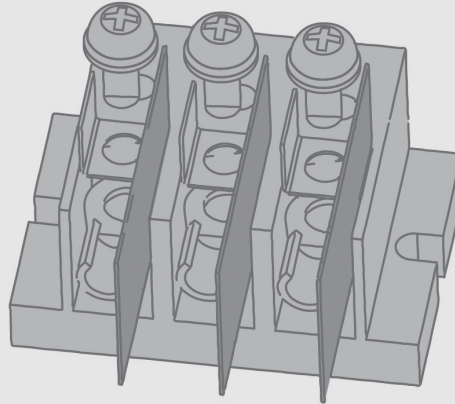


Inspect the Battery Cabinet

Inspect the cabinet for any signs of obvious damage. If damage is visible, do not proceed. File a damage claim with the carrier immediately and send a copy to:

Vertiv
1050 Dearborn Drive
P.O. Box 29186
Columbus OH 43085
Attn. Traffic Department

Insulating Plates



Install the Battery Insulating Plates

NOTE: Only on UPS models with terminal block battery connectors.

Do not reverse the polarity of the battery cables.

IMPORTANT! Before connecting the battery cables, ensure that the battery breaker on the rear of the battery cabinet is open (Off).

1. Connect the ground wire (PE) to the ground screw on the rear of the UPS.
2. Place the battery cable ring lug on the terminal block, add the insulating plate, then insert the screw and tighten to 30 lb.- in. torque.
3. Repeat Step 2 for each terminal-block connection: battery +, battery neutral, and battery -).

Connecting 3U Cabinet Systems

Each battery string is made up of two battery cabinets that are connected to the UPS in parallel.

1. Connect a single battery cabinet system.

Refer to the illustration, “Cabling 3U Cabinets in Parallel,” above, and connect the UPS-to-battery cable to Connectors A on each battery cabinet in the battery string.

2. Connect the communication cable.

Connect to the communication port on the UPS and Communication Port 1 on the first battery cabinet.

3. Connect the first string of additional battery cabinet systems.

Connect a battery-to-battery cable to Connector B on the first cabinet in the previous string, and to Connector A on first cabinet in the additional string.

4. Connect the second string in additional battery cabinet systems.

Connect a battery-to-battery cable to Connector B on the second cabinet in the previous string, and to Connector A on first cabinet in the additional string.

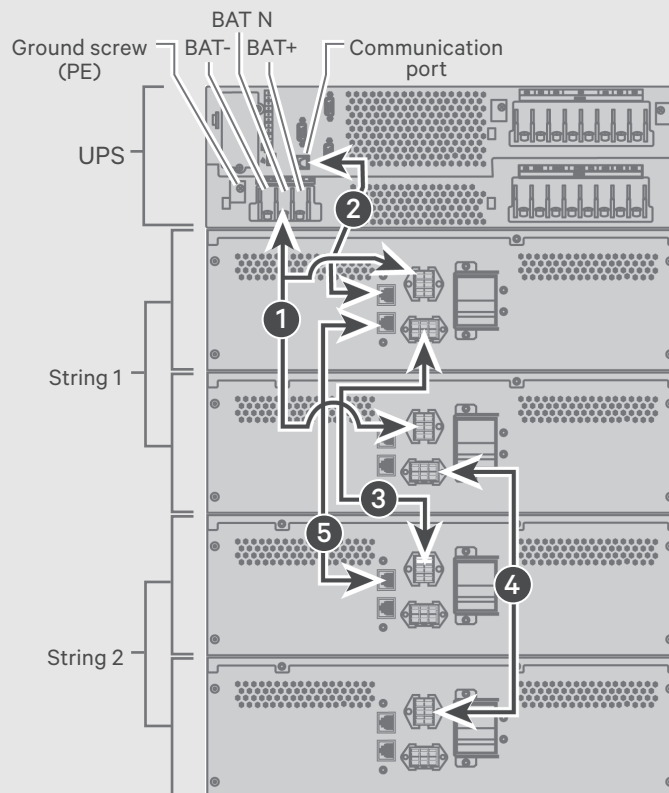
5. Connect the communication cable.

Connect to Communication Port 2 on the first cabinet in the previous string to Communication Port 1 on the first cabinet in the second string.

6. Close Breakers.

When connections are complete, close the battery output breaker(s).

Cabling 3U Cabinets in Parallel



Connecting 2U Cabinet Systems

Each battery string is made up of two battery cabinets that are connected to the UPS in parallel.

1. Connect a single battery cabinet system.

Refer to the illustration, “Cabling 2U Cabinets in Parallel,” above, and connect the “Port-B” end of the battery cables to the battery ports on the UPS.

Connect the “Port-A” end of each cable to Connector A on each battery cabinet in the battery string.

2. Connect the communication cable.

Connect to the communication port on the UPS and one of the communication ports on the first battery cabinet.

3. Connect the first string of additional battery cabinet systems.

Connect a battery cable to Connector B on the first cabinet in the previous string, and to Connector A on the first cabinet in the additional string.

4. Connect the second string in additional battery cabinet systems.

Connect a battery cable to Connector B on the second cabinet in the previous string, and to Connector A on the first cabinet in the additional string.

5. Connect the communication cable

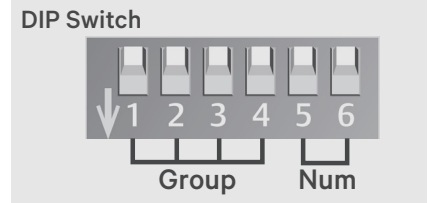
Connect a cable between the RJ-45 communication ports between each battery cabinet.

6. Set the DIP switches.

Referring to the DIP Switch illustration, above, and the table, above right, set the DIP switch on both cabinets in each additional string.

7. Close Breakers.

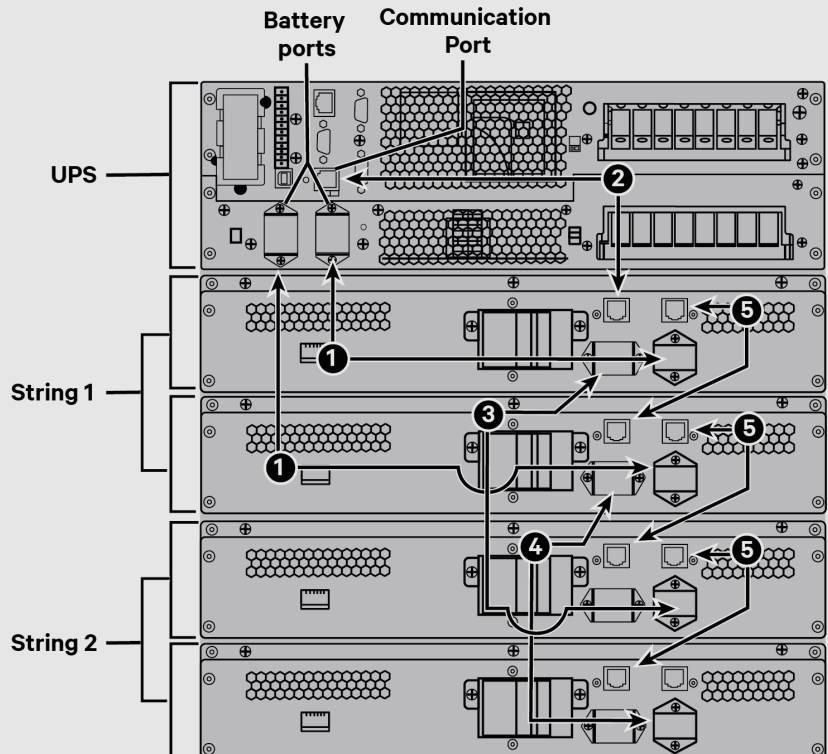
When connections and DIP switch settings are complete, close the battery output breaker(s).



DIP Switch Settings for 2U Battery Cabinet Strings

STRING	CABINET	DIP SWITCH POSITION					
		Group				Num	
		1	2	3	4	5	6
1	A	Off	Off	Off	Off	Off	On
	B	Off	Off	Off	Off	On	Off
2	A	Off	Off	Off	Off	On	On
	B	Off	Off	Off	On	Off	Off
3	A	Off	Off	Off	On	Off	On
	B	Off	Off	Off	On	On	Off
4	A	Off	Off	Off	On	On	On
	B	Off	Off	On	Off	Off	Off
5	A	Off	Off	On	Off	Off	On
	B	Off	Off	On	Off	On	Off

Cabling 2U Cabinets in Parallel





To contact Vertiv Technical Support: visit www.Vertiv.com

© 2021 Vertiv Group Corp. All rights reserved. Vertiv™ and the Vertiv logo are trademarks or registered trademarks of Vertiv Group Corp. All other names and logos referred to are trade names, trademarks or registered trademarks of their respective owners. While every precaution has been taken to ensure accuracy and completeness here, Vertiv Group Corp. assumes no responsibility, and disclaims all liability, for damages resulting from use of this information or for any errors or omissions. Specifications, rebates and other promotional offers are subject to change at Vertiv's sole discretion upon notice.

