



NetSure™ 8200 Ordering Guide

-48V DC Power System
58214-0000 (2,000 A to 16,000 A)



Description

The modular NetSure™ 8200 power system is made up of an assortment of bays that can be configured to meet any large -48 Volt power requirement from 1000 A to 16,000 A. The basic power unit is a nominal 200 A rectifier capable of up to 220 amps each at current limit. The system accommodates up to 10 rectifiers per bay, and the bays can be configured for distributed or centralized applications. There are also bays configured to retrofit 200 amp and 400 amp ferro rectifiers with minimum AC infrastructure cost.

Table of Contents

Step 1. Select System Frame(s), Main Bay or Supplemental Bay	3
Step 2. Optional - Select Distribution Frame	4
Step 3. Select Input Voltage Source (AC Input Source)	4
Step 4. Select Rectifier Model	4
Step 5. Optional - Select AC Service Cabinet (PDSC)	4
Step 6. Optional - Select Transient Voltage Surge Suppression (TVSS)	5
Step 7. Select DC Distribution Device Types	5
Step 7a. Choose TPL Style Fuses	5
Step 7b. Choose GJ/218 Style Breakers	6
Step 7c. Choose Bullet-Type Circuit Breakers and Adapter Kit	7
Step 7d. Choose TLS/TPS Fuses with Bullet-Type Fuse Holders	9
Step 8. Optional - Select Small Distribution for Distribution Bay (List 116)	10
Step 9. Optional - Select Internal Return Bar (as needed)	11
Step 10. Optional - Select External Termination Bus Assembly	11
Step 11. Optional - Select External Return Bar Option	12
Step 12. Order Accessories (as needed)	13
NetSure 802 Retrofit Kits	13

Note 1: Click on the step above to jump to that page.

Note 2: To return to the Table of Contents, click on the header of any page.

Requester Contact Information:

Name*

Company*

Address*

Zip Code*

Email*

Phone*

Please **SAVE** this form to your desktop. Then press the submit button below

* These are required fields. Please complete.



NetSure™ 8200
Power Only Bay



Power Bay
with Distribution
Bay



200 A Ferro
Retrofit
Power Bay



400 A Ferro
Retrofit
Power Bay

Step 1. Select System Frame(s), Main Bay or Supplemental Bay

Select one, quantity of one per system.

List Number	Vertiv™ Part Number	Description	Qty.	Notes
List 101	582140000101	Main power/distribution frame, equip for individual AC feed per rectifier		(1) Main frame type required per system. Maximum of 10 rectifiers/bay.
List 102	582140000102	Main power/distribution frame, equip for bulk AC feed per frame		Must select AC service cabinet option in Step 5.
List 103*	582140000103	Main power bay frame, 5 discrete AC inputs per bay (5 feed) for 400 A ferro retrofit application		(1) Main frame type required per system. Maximum of 10 rectifiers/bay.
List 104*	582140000104	Main power bay frame, 2 discrete AC inputs per bay (2 feed)		(1) Main frame type required per system. Maximum of 10 rectifiers/bay.
List 105*	582140000105	Main power bay frame, individual AC inputs per rectifier (10 feed) for 200 A Ferro retrofit applications or direct feed from existing AC PDSC		(1) Main frame type required per system. Maximum of 10 rectifiers/bay.

* Must be used with external main battery termination bars.

Select quantity as needed per system.

List Number	Vertiv Part Number	Description	Qty.	Notes
List 111	582140000111	Secondary power/distribution frame, equip for individual AC feed per rectifier		Order as required. Maximum of 10 rectifiers/bay. System can support up to (9) secondary frames as needed.
List 112	582140000112	Secondary power/distribution frame, equip for bulk AC feed per frame		Must select AC service cabinet option in Step 5. Order as required. Maximum of 10 rectifiers/bay. System can support up to (9) secondary frames as needed.
List 113*	582140000113	Secondary power bay frame, 5 discrete AC inputs per bay (5 feed) for 400 A ferro retrofit application		Order as required. Maximum of 10 rectifiers/bay. System can support up to (9) secondary frames as needed.
List 114*	582140000114	Secondary power bay frame, 2 discrete AC inputs per bay (2 feed)		Order as required. Maximum of 10 rectifiers/bay. System can support up to (9) secondary frames as needed.
List 115*	582140000115	Secondary power bay frame, individual AC inputs per rectifier (10 feed) for 200 A Ferro retrofit applications or direct feed from existing AC PDSC		Order as required. Maximum of 10 rectifiers/bay. System can support up to (9) secondary frames as needed.

* Must be used with external main battery termination bars.

NetSure™ 8200 Ordering Guide

Step 2. Optional - Select Distribution Frame

Select quantity as needed if applicable.



List Number	Vertiv Part Number	Description	Qty.	Notes
List 116	582140000116	Distribution only bay (Cable only bay) for use with external main battery termination bars, left or right expansion		Order as required. System can support up to (5) distribution frames as needed.
List 117	582140000117	Distribution only bay with internal busbars (2nd bay), left or right expansion		Order as required. System can support up to (5) distribution frames as needed.
List 118	582140000118	1st distribution only bay with internal busbars, expansion to the right		Order as required. System can support up to (5) distribution frames as needed.
List 119	582140000119	Expansion busbars for distribution only bay to bridge PDSC		Only required if a PDSC is located between the power/distribution bay and the distribution only bay
List 122	582140000122	1st distribution only bay with internal busbars, expansion to the left		Order as required. System can support up to (5) distribution frames as needed.

Step 3. Select Input Voltage Source (AC Input Source)

Select one, quantity of one.

List Number	Vertiv™ Part Number	Description	Qty.	Rack Space
List 0A	5821400000A	480 VAC, 3 phase input (4-wire circuit)		
List 0B	5821400000B	208 VAC, 3 phase input (4-wire circuit)		

Step 4. Select Rectifier Model

List Number	Vertiv Part Number	Description	Qty.	Rack Space	Pictorial
n/a	486534003*	High efficiency 200 amp eSure™ rectifier R4812000Le (208 VAC), 3 phase input			
n/a	486532603*	High efficiency 200 amp eSure™ rectifier R4812000e (480 VAC), 3 phase input			

* 200 A is nominal rating. These units are capable of current limiting up to 220 A each.

Step 5. Optional - Select AC Service Cabinet (PDSC)

Must be selected if List 102 or List 112 was selected in Step 1.

List Number	Vertiv Part Number	Description	Qty.	Notes
List 130	582140000130	480 VAC input bolt-on PDSC (22 kAIC rated breakers)		Select the quantity of cabinets needed by to total number of List 102 and List 112's needed in total.
List 131	582140000131	480 VAC input bolt-on PDSC (65 kAIC rated breakers)		Select the quantity of cabinets needed by to total number of List 102 and List 112's needed in total.
List 132	582140000132	208 VAC input bolt-on PDSC (65 kAIC rated breakers)		Select the quantity of cabinets needed by to total number of List 102 and List 112's needed in total.

Step 6. Optional - Select Transient Voltage Surge Suppression (TVSS)

Must be selected if Lists 102, 104, 112 or 114 were selected in Step 1.

List Number	Vertiv Part Number	Description	Qty.	Notes
List 35	58214000035	480 VAC input surge suppression for use in the PDSC cabinet		For use with List 130 or 131 AC service cabinets only. (1) required for each AC service cabinet.
List 36	58214000036	208 VAC input surge suppression for use in the PDSC cabinet		For use with List 132 AC service cabinets only. (1) required for each AC service cabinet.
List 37	58214000037	480 VAC input surge suppression for use in the power bays (104 and 114)		For use with List 104 and 114 when equipped for 480 VAC input.
List 38	58214000038	208 VAC input surge suppression for use in the power bays (104 and 114)		For use with List 104 and 114 when equipped for 208 VAC input.

Step 7. Select DC Distribution Device Types

Select quantity and type as needed.

Step 7a. Choose TPL Style Fuses

List Number	Vertiv™ Part Number	Description	Qty.	Poles Used	Notes	Pictorial
n/a	248251500	Fuse, TPL-C, 70 A		2	Uses (1) 514403 fuseholder	
n/a	248252000	Fuse, TPL-C, 80 A		2	Uses (1) 514403 fuseholder	
n/a	248252600	Fuse, TPL-B, 100 A		2	Uses (1) 514403 fuseholder	
n/a	248253300	Fuse, TPL-B, 150 A		2	Uses (1) 514403 fuseholder	
n/a	248254000	Fuse, TPL-B, 200 A		2	Uses (1) 514403 fuseholder	
n/a	248254500	Fuse, TPL-B, 225 A		2	Uses (1) 514403 fuseholder	
n/a	248255000	Fuse, TPL-B, 250 A		2	Uses (1) 514403 fuseholder	
n/a	248255700	Fuse, TPL-C, 300 A		2	Uses (1) 514403 fuseholder	
n/a	248257000	Fuse, TPL-C, 400 A		2	Uses (1) 514403 fuseholder	
n/a	248258000	Fuse, TPL-C, 500 A		2	Uses (1) 514403 fuseholder	
n/a	248259000	Fuse, TPL-C, 600 A		2	Uses (1) 514403 fuseholder	
n/a	102901	Fuse, TPL-C, 800 A		3	Uses (1) 514404 fuseholder	

For each fuse needed, order (1) 248610301 GMT alarm fuse (18/100 A) and (1) 248898700 GMT fuse safety cover.

n/a 248610301 GMT alarm fuse, 18/100 A

n/a 248898700 GMT fuse safety cover

For each fuse needed, order (1) of the listed fuseholders; for all fuses 600 A or less, the 514403 is the recommended device.

n/a	514403	TPL fuse holder, 600 A max				
n/a	514404	TPL fuse holder, 800 A max				

NetSure™ 8200 Ordering Guide

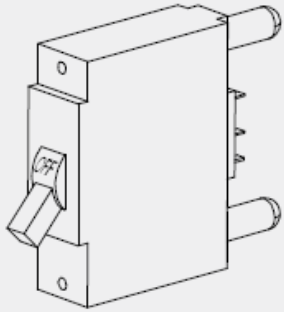
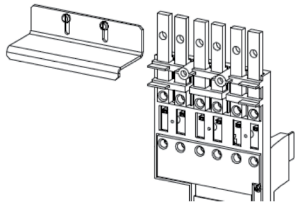
Step 7b. Choose GJ/218 Style Breakers

List Number	Vertiv™ Part Number	Description	Qty.	Poles Used	Power/Dist. Bay Lug Adapter	Distribution Only Bay Lug Adapter	Pictorial	
Electrical Trip Alarm (White Handle) GJ/218 Style Breakers with Internal Shunt								
n/a	513766	100 A circuit breaker, E-trip		1	520891	Not required		
n/a	513768	125 A circuit breaker, E-trip		1	520891	Not required		
n/a	513770	150 A circuit breaker, E-trip		1	520891	Not required		
n/a	513772	175 A circuit breaker, E-trip		1	520891	Not required		
n/a	513774	200 A circuit breaker, E-trip		1	520891	Not required		
n/a	513776	225 A circuit breaker, E-trip		1	520891	Not required		
n/a	513778	250 A circuit breaker, E-trip		1	520891	Not required		
n/a	513780	300 A circuit breaker, E-trip		2	520892	529132		
n/a	513782	350 A circuit breaker, E-trip		2	520892	529132		
n/a	513784	400 A circuit breaker, E-trip		2	520892	529132		
n/a	513786	450 A circuit breaker, E-trip		3	520893	529131		
n/a	513788	500 A circuit breaker, E-trip		3	520893	529131		
n/a	513790	600 A circuit breaker, E-trip		3	520893	529131		
n/a	513792	800 A circuit breaker, E-trip		4	520894	534420		
Electrical/Mechanical Trip Alarm (Black Handle) GJ/218 Style Breakers with Internal Shunt								
n/a	513767	100 A circuit breaker, E/M-trip		1	520891	Not required		
n/a	513769	125 A circuit breaker, E/M-trip		1	520891	Not required		
n/a	513771	150 A circuit breaker, E/M-trip		1	520891	Not required		
n/a	513773	175 A circuit breaker, E/M-trip		1	520891	Not required		
n/a	513775	200 A circuit breaker, E/M-trip		1	520891	Not required		
n/a	513777	225 A circuit breaker, E/M-trip		1	520891	Not required		
n/a	513779	250 A circuit breaker, E/M-trip		1	520891	Not required		
n/a	513781	300 A circuit breaker, E/M-trip		2	520892	529132		
n/a	513783	350 A circuit breaker, E/M-trip		2	520892	529132		
n/a	513785	400 A circuit breaker, E/M-trip		2	520892	529132		
n/a	513787	450 A circuit breaker, E/M-trip		3	520893	529131		
n/a	513789	500 A circuit breaker, E/M-trip		3	520893	529131		
n/a	513791	600 A circuit breaker, E/M-trip		3	520893	529131		
n/a	513793	800 A circuit breaker, E/M-trip		4	520894	534420		

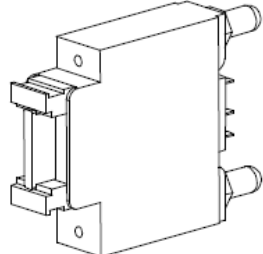
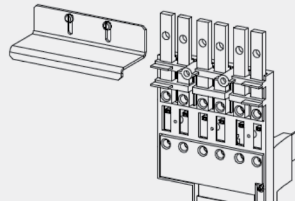
Step 7c. Choose Bullet-Type Circuit Breakers and Adapter Kit

List Number	Vertiv™ Part Number	Description	Qty.	Notes	Pictorial
Toggle Handle Electrical Trip Alarm (White Handle) Bullet Breakers					
n/a	102272	CB, 1 A, bullet, toggle handle, E-trip		Occupies one position	
n/a	102273	CB, 3 A, bullet, toggle handle, E-trip		Occupies one position	
n/a	102274	CB, 5 A, bullet, toggle handle, E-trip		Occupies one position	
n/a	102275	CB, 10 A, bullet, toggle handle, E-trip		Occupies one position	
n/a	102276	CB, 15 A, bullet, toggle handle, E-trip		Occupies one position	
n/a	102277	CB, 20 A, bullet, toggle handle, E-trip		Occupies one position	
n/a	102278	CB, 25 A, bullet, toggle handle, E-trip		Occupies one position	
n/a	102279	CB, 30 A, bullet, toggle handle, E-trip		Occupies one position	
n/a	102280	CB, 35 A, bullet, toggle handle, E-trip		Occupies one position	
n/a	102281	CB, 40 A, bullet, toggle handle, E-trip		Occupies one position	
n/a	121998	CB, 45 A, bullet, toggle handle, E-trip		Occupies one position	
n/a	102282	CB, 50 A, bullet, toggle handle, E-trip		Occupies one position	
n/a	102283	CB, 60 A, bullet, toggle handle, E-trip		Occupies one position	
n/a	102284	CB, 70 A, bullet, toggle handle, E-trip		Occupies one position	
n/a	102285	CB, 75 A, bullet, toggle handle, E-trip		Occupies one position	
n/a	121996	CB, 80 A, bullet, toggle handle, E-trip		Occupies one position	
n/a	102286	CB, 100 A, bullet, toggle handle, E-trip		Occupies one position	
n/a	516991	CB, 125 A, bullet, toggle handle, E-trip		Occupies two positions	
n/a	516993	CB, 150 A, bullet, toggle handle, E-trip		Occupies (2) positions, space required	
n/a	144883	CB, 175 A, bullet, toggle handle, E-trip		Occupies (2) positions, space required	
n/a	121831	CB, 200 A, bullet, toggle handle, E-trip		Occupies (2) positions, space required	
n/a	144885	CB, 225 A, bullet, toggle handle, E-trip		Occupies (3) positions, space required	
n/a	121835	CB, 250 A, bullet, toggle handle, E-trip		Occupies (3) positions, space required	
n/a	513747	Circuit breaker/fuseholder mounting assembly		Order (1) 513747 assembly for every six circuit breaker/fuseholder combinations required. Each assembly occupies (3) larger "pole" positions in the distribution section. For use with lists 101, 102, 111 & 112 only.	

Step 7c. Choose Bullet-Type Circuit Breakers and Adapter Kit (continued)

List Number	VerTiv™ Part Number	Description	Qty.	Notes	Pictorial
Toggle Handle Electrical/Mechanical Trip Alarm (Black Handle) Bullet Breakers					
n/a	101596	CB, 1 A, bullet, toggle handle, E/M-trip		Occupies one position	
n/a	101597	CB, 3 A, bullet, toggle handle, E/M-trip		Occupies one position	
n/a	101598	CB, 5 A, bullet, toggle handle, E/M-trip		Occupies one position	
n/a	101599	CB, 10 A, bullet, toggle handle, E/M-trip		Occupies one position	
n/a	101600	CB, 15 A, bullet, toggle handle, E/M-trip		Occupies one position	
n/a	101601	CB, 20 A, bullet, toggle handle, E/M-trip		Occupies one position	
n/a	101602	CB, 25 A, bullet, toggle handle, E/M-trip		Occupies one position	
n/a	101603	CB, 30 A, bullet, toggle handle, E/M-trip		Occupies one position	
n/a	101604	CB, 35 A, bullet, toggle handle, E/M-trip		Occupies one position	
n/a	101605	CB, 40 A, bullet, toggle handle, E/M-trip		Occupies one position	
n/a	121997	CB, 45 A, bullet, toggle handle, E/M-trip		Occupies one position	
n/a	101606	CB, 50 A, bullet, toggle handle, E/M-trip		Occupies one position	
n/a	101607	CB, 60 A, bullet, toggle handle, E/M-trip		Occupies one position	
n/a	101608	CB, 70 A, bullet, toggle handle, E/M-trip		Occupies one position	
n/a	101609	CB, 75 A, bullet, toggle handle, E/M-trip		Occupies one position	
n/a	121995	CB, 80 A, bullet, toggle handle, E/M-trip		Occupies one position	
n/a	101610	CB, 100 A, bullet, toggle handle, E/M-trip		Occupies one position	
n/a	516838	CB, 125 A, bullet, toggle handle, E/M-trip		Occupies two positions	
n/a	516839	CB, 150 A, bullet, toggle handle, E/M-trip		Occupies (2) positions, space required	
n/a	144884	CB, 175 A, bullet, toggle handle, E/M-trip		Occupies (2) positions, space required	
n/a	121832	CB, 200 A, bullet, toggle handle, E/M-trip		Occupies (2) positions, space required	
n/a	144886	CB, 225 A, bullet, toggle handle, E/M-trip		Occupies (3) positions, space required	
n/a	121836	CB, 250 A, bullet, toggle handle, E/M-trip		Occupies (3) positions, space required	
n/a	513747	Circuit breaker/fuseholder mounting assembly		Order (1) 513747 assembly for every six circuit breaker/fuseholder combinations required. Each assembly occupies (3) larger "pole" positions in the distribution section. For use with lists 101, 102, 111 & 112 only.	

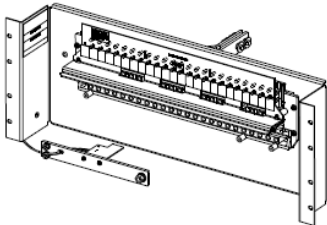
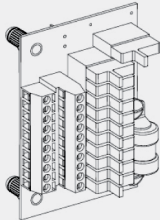
Step 7d. Choose TLS/TPS Fuses with Bullet-Type Fuse Holders

List Number	VerTiv™ Part Number	Description	Qty.	Notes	Pictorial
n/a	117201	Fuse holder, TLS/TPS, bullet type		Order one fuse holder per fuse	
n/a	248230900	Fuse, TLS/TPS, 3 amps		Occupies one position	
n/a	248231000	Fuse, TLS/TPS, 5 amps		Occupies one position	
n/a	248231200	Fuse, TLS/TPS, 6 amps		Occupies one position	
n/a	248231500	Fuse, TLS/TPS, 10 amps		Occupies one position	
n/a	248231800	Fuse, TLS/TPS, 15 amps		Occupies one position	
n/a	248232100	Fuse, TLS/TPS, 20 amps		Occupies one position	
n/a	248232400	Fuse, TLS/TPS, 25 amps		Occupies one position	
n/a	248232700	Fuse, TLS/TPS, 30 amps		Occupies one position	
n/a	248233300	Fuse, TLS/TPS, 40 amps		Occupies one position	
n/a	248233900	Fuse, TLS/TPS, 50 amps		Occupies one position	
n/a	248234200	Fuse, TLS/TPS, 60 amps		Occupies one position	
n/a	248234500	Fuse, TLS/TPS, 70 amps		Occupies one position	
n/a	118413	Fuse, TLS/TPS, 80 amps		Occupies one position	
n/a	118414	Fuse, TLS/TPS, 90 amps		Occupies one position	
n/a	118415	Fuse, TLS/TPS, 100 amps		Occupies one position	
n/a	139052	Fuse, TLS/TPS, 125 amps		Occupies one position	
n/a	513747	Circuit breaker/fuseholder mounting assembly		Order (1) 513747 assembly for every six circuit breaker/fuseholder combinations required. Each assembly occupies (3) larger "pole" positions in the distribution section.	

NetSure™ 8200 Ordering Guide

Step 8. Optional - Select Small Distribution for Distribution Bay (List 116)

Order smaller circuit breakers and fuses from Step 8c and 8d above.

List Number	Vertiv™ Part Number	Description	Qty.	Pictorial
List 0C	5821400000C	Bullet nose fuse/circuit breaker panel for use in 582140000116 distribution bay		
n/a	509128	Fuse module, ten (10) GMT fuse positions		
n/a	248610301	Fuse, GMT, 18/100 amp		
n/a	248610200	Fuse, GMT, 1/4 amp		
n/a	248610300	Fuse, GMT, 1/2 amp		
n/a	248610500	Fuse, GMT, 3/4 amp		
n/a	248610700	Fuse, GMT, 1-1/3 amps		
n/a	248610800	Fuse, GMT, 2 amps		
n/a	248610900	Fuse, GMT, 3 amps		
n/a	248611000	Fuse, GMT, 5 amps		
n/a	248611300	Fuse, GMT, 7-1/2 amps		
n/a	248611200	Fuse, GMT, 10 amps		
n/a	248611500	Fuse, GMT, 15 amps		
n/a	102774	Replacement safety cover		
n/a	248872600	Replacement dummy fuse		

Step 9. Optional - Select Internal Return Bar (as needed)

Select one, quantity of one, if desired. Note restrictions.

List Number	Vertiv™ Part Number	Description	Qty.	Notes	Pictorial
n/a	554862	2000 A ground bar kit, internal		Internal ground bar kit recommended for use with >100 A distribution devices. Mounts only in List 101, 102, 111, or 112 power/distribution frames.	
n/a	555214	2000 A ground bar kit, internal		Internal ground bar kit recommended for use with >200 A distribution devices. Mounts only in List 101, 102, 111, or 112 power/distribution frames.	

Step 10. Optional - Select External Termination Bus Assembly

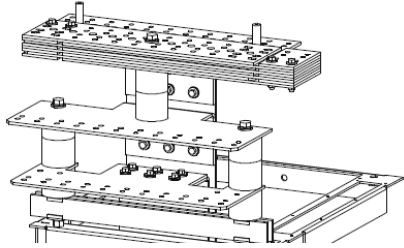
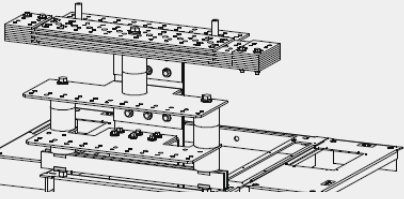
Select one, quantity of one, if desired. Note restrictions.

List Number	Vertiv Part Number	Description	Qty.	Notes	Pictorial
n/a	554873	External top-mount horizontal battery input bus assembly		Provides for external battery input landings for use with List 101, 102, 103, 104, 105, 111, 112, 113, 114 and 115. Lug sizes should be 3/8" x 1.000" centers. Rated for 2000 A each.	
n/a	528482	Busbar shield kit		Lexan kit provides protection on -48 V bus. For use with 554873 kit.	
n/a	554874	External top-mount vertical batter input bus assembly		Order (1) per bay as required. Must be mounted on top of 554873 bus assembly. Includes Lexan shields.	

NetSure™ 8200 Ordering Guide

Step 11. Optional - Select External Return Bar Option

Select one, quantity of one, if desired. Note restrictions.


List Number	Vertiv™ Part Number	Description	Qty.	Notes	Pictorial
n/a	514688	External ground return bar, 6000 A		Must be used with 554873 kits. For use with List List 101, 103, 104, 105, 111, 113, 114 and 115 frames.	
n/a	514689	External ground return bar, 10,000 A		Must be used with 554873 kits. For use with List 101, 103, 104, 105, 111, 113, 114 and 115 frames.	
n/a	514690	External ground return bar, 6000 A		Must be used with 554873 kits. For use only with List 102 and 112 frames.	
n/a	514691	External ground return bar, 10,000 A		Must be used with 554873 kits. For use only with List 102 and 112 frames.	
n/a	514543	Load return lug expansion busbar		Mounts to any of the available 6000 A or 10,000 A external ground return bar options.	

Step 12. Order Accessories (as needed)

Select quantity and vertical rack spacing as desired and as relay rack space allows.

List Number	Vertiv™ Part Number	Description	Qty.	Notes
n/a	547749	Temperature probe, 3 Meter		
n/a	547750	Temperature probe, 10 Meter		
n/a	547490	Temperature concentrator module		
n/a	10010507	Shunt concentrator module		
n/a	2440103	General purpose monitoring module		
n/a	550281	3000 A external main termination bar, no shunt		(1) power bay (1) distribution bay
n/a	550282	5000 A external main termination bar, no shunt		(2) power bays (1) distribution bay
n/a	550283	5000 A external main termination bar, no shunt		(2) power bays (2) distribution bays
n/a	550284	7500 A external main termination bar, no shunt		(3) power bays (2) distribution bays
n/a	550285	7500 A external main termination bar, no shunt		(3) power bays (3) distribution bays
n/a	550286	10,000 A external main termination bar, no shunt		(4) power bays (2) distribution bays
n/a	550287	10,000 A external main termination bar, no shunt		(4) power bays (3) distribution bays
n/a	550291	3000 A external main termination bar, e/w shunt		(1) power bay (1) distribution bay
n/a	550292	5000 A external main termination bar, e/w shunt		(2) power bays (1) distribution bay
n/a	550293	5000 A external main termination bar, e/w shunt		(2) power bays (2) distribution bays
n/a	550294	7500 A external main termination bar, e/w shunt		(3) power bays (2) distribution bays
n/a	550295	7500 A external main termination bar, e/w shunt		(3) power bays (3) distribution bays
n/a	550296	10,000 A external main termination bar, e/w shunt		(4) power bays (2) distribution bays
n/a	550297	10,000 A external main termination bar, e/w shunt		(4) power bays (3) distribution bays

NetSure 802 Retrofit Kits

List Number	Vertiv™ Part Number	Description	Qty.	Pictorial
n/a	565406	NetSure 802 retrofit kit, primary bay		
n/a	565408	NetSure 802 retrofit kit, secondary bay		
n/a	566157	NetSure 802 retrofit kit, distribution-only bay e/w L17, L18, L22		
n/a	566156	NetSure 802 retrofit kit, distribution-only bay e/w L16		

Comments

Please **SAVE** this form to your desktop. Then email the completed form to: AccountManagement.ESNA@Vertiv.com

Contact your local sales representative with questions or call 1-800-800-1280 for support.



Vertiv.com | Vertiv Headquarters, 1050 Dearborn Drive, Columbus, OH, 43085, USA

© 2020 Vertiv Group Corp. All rights reserved. Vertiv™ and the Vertiv logo are trademarks or registered trademarks of Vertiv Group Corp. All other names and logos referred to are trade names, trademarks or registered trademarks of their respective owners. While every precaution has been taken to ensure accuracy and completeness here, Vertiv Group Corp. assumes no responsibility, and disclaims all liability, for damages resulting from use of this information or for any errors or omissions. Specifications, rebates and other promotional offers are subject to change at Vertiv's sole discretion upon notice.

DC-00103 (RA08/22)