



# Vertiv™ Liebert® GXT5 Lithium-Ion UPS

5,000 - 10,000VA, MV (120V/208V),  
GV (200V - 240V)

Online Double-Conversion, Rack/Tower  
Convertible UPS Offers the Highest Level  
of Power Protection



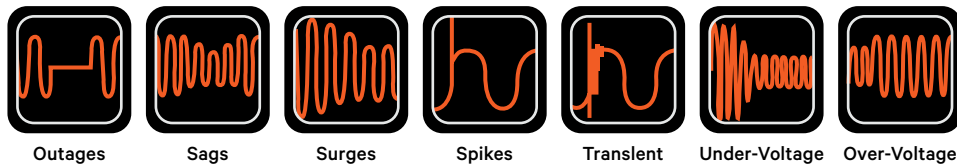
The Vertiv™ Liebert® GXT5 Lithium-Ion UPS provides the highest level of power protection for your business critical IT applications.

### High Performance Online Power Protection

The Liebert® GXT5 Lithium-Ion double conversion online UPS provides both the highest level of power conditioning and battery backup for business critical IT equipment such as business network gear and servers ensuring your mission-critical applications are protected in the event of an unanticipated loss of power or an unprecedented power surge.

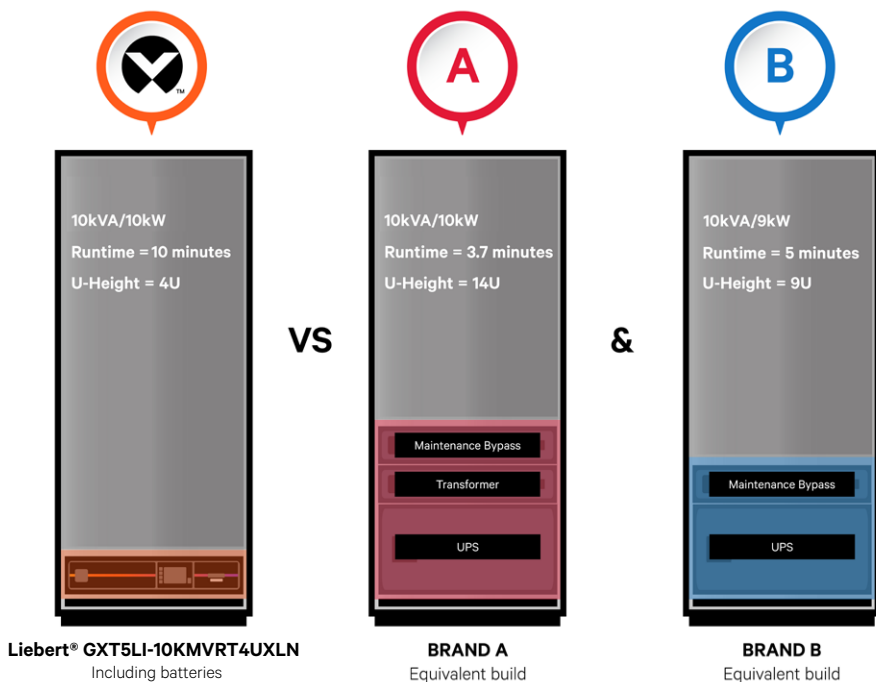
The Liebert® GXT5 Lithium-Ion UPS protects against the widest range of power fluctuations and automatically switches to battery backup when power loss is detected. With a 1.0 power factor (PF) and no transfer time to operation on battery, you can ensure your most critical assets are protected.

### Protects Against



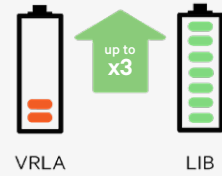
The rack/tower convertible design of the Liebert GXT5 Lithium-Ion UPS makes it ideal for edge or distributed IT applications where floor space is at a premium. It is a true low-maintenance, set-it and forget-it solution ideal for remote locations with limited onsite technical resources.

### Supreme Power Density



### Why should you choose Lithium-Ion Technology?

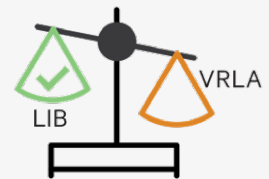
#### Longer Life



#### Lowest TCO



#### Small and Lighter



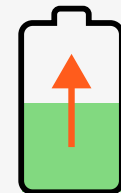
#### Longer Runtime



#### Environmentally Friendly



#### Fast Battery Recharge



Lithium-Ion technology delivers up to 3 times the life expectancy of lead-acid batteries and lowers the total cost of ownership by nearly half.

### Lithium-Ion Outperforms VRLA when compared

Battery Feature	VRLA Battery	Lithium-Ion Battery	Lithium-Ion Benefit
Standard battery life	3-5 years	8-10 years	Up to 3 times longer life
Typical cycle life	200-260	2000	Up to 10x more discharge/recharge cycles
Battery recharge time (@ 90%)	3-6 hours	<2 hours	Fast recovery time safeguards your critical IT equipment in the event of multiple outages
Battery weight	35 kg	22 kg	45% lighter making it ideal for small spaces and wall-mount racks
Warranty	2 or 3 years	5 years	Worry free operation so you can set-it and forget-it

### Build Your Total Infrastructure Solution with Vertiv

Discover expert designed IT infrastructure solutions with proven success in diverse environments and countless applications.

**Rack PDUs**

**IT Management and Monitoring**

**Lithium-Ion UPS**

**Thermal Management**

**Lifecycle Service**

**Liebert®**

- Cooling
- Racks
- UPS

**Avocent®**

- Device Management
- KVMs
- Serial Console

**Geist™**

- Rack Air Distribution
- Rack PDUs and RTS
- Monitoring

**Racks**

Visit [Vertiv.com](http://Vertiv.com) or contact a Vertiv Sales Representative today to find out how Vertiv can help you configure an all-in-one infrastructure solution.

## How You Benefit from the Vertiv™ Liebert® GXT5 UPS

### High Performance



**1.0 Output Power Factor (PF):** Provides more useable power enabling you to connect more equipment saving you money and space.



**Increased Runtime:** included external lithium-ion battery pack offers up to 12 minutes of runtime at full load.

**Extended Runtime:** add up to a total of (8) 1U EBCs (or 8 EBC pairs for the 8/10KVA models) for a maximum runtime up to 100 minutes at full load, or 200 minutes at half-load.



**Advanced Warning Status:** Receive early audible and visual alarms warning you of system status to alert you to an input voltage, output overload, low battery, or battery replacement condition.

**Wide Input Voltage Range:** Prolong battery life by allowing the UPS to maximize the use of the utility power before transferring to battery.

**High Efficiency:** we operate up to 94% in normal (online) operating mode.

### Superior Battery Technology

**Fewer Battery Replacements:** Lithium-Ion batteries require fewer battery replacements and last on average up to 3 times as long as traditional VRLA batteries reducing maintenance, labor, and replacement costs (lower TCO).

**More Discharge Cycles:** Lithium-Ion batteries deliver up to 10 times more charge / discharge cycles than VRLA batteries.

**Fast Recharge:** Lithium-Ion batteries recharge twice as fast as traditional VRLA batteries getting you back to 90% in as little as 2 hours.

**Hot-Swappable, User-Replaceable Batteries:** Increase product life and reliability with batteries that can be easily replaced without disrupting power to connected equipment.

**Safe and Reliable:** Safest Lithium-Ion (LiFePO4) battery chemistry and integrated battery management system (BMS) ensure safe and reliable operation.

**Environmentally Friendly:** Significantly reduce battery disposal and recycling with lower replacement rates.



Lithium-ion Batteries

### Enhanced Manageability



**LCD Display:** User-friendly full-color LCD interface with gravity sensing orientation simplified installation and configuration while also providing instant at-a-glance status and insights.

#### Remote Management:

- Vertiv™ Power Insight – Liebert® RDU101 card included for web/SNMP manageability
- Vertiv™ Power Assist – Monitor UPS conditions through a local USB connection
- Vertiv™ Intelligence Director – Together with Vertiv™ Geist™ rPDU one single IP Address to monitor and manage up to 50 devices



**Remote Emergency Power Off:** Remotely shutdown the UPS during an emergency.

## Integrated Maintenance Bypass and Power Distribution

Each Vertiv™ Liebert® GXT5 Lithium-Ion UPS (5-10kVA models only) includes a Zero-U maintenance bypass with integral power distribution. This enables UPS service or removal without disrupting power to the connected equipment.



### High power factor (1.0)

More usable power enables more connected loads saving space and costs.

### Efficiency (up to 94%) in online mode

Energy Star 2.0 certification. Higher efficiency means an optimized energy management and lower heat dissipation, for energy savings and improved reliability.



### Integrated Maintenance Bypass Cabinet (MBC)

Facilitates UPS maintenance or replacement, if needed, without having to shutdown the connected equipment.



### Factory Installed Network Card

RDU101 SNMP/Web card enables Remote Management



### Battery Cabinets with auto-detection

Be confident the UPS is set up correctly to report available runtime when used with external battery cabinets.



### Product warranty

Comprehensive coverage through a standard five-year advanced exchange warranty.

### Supreme Power Density

Space-saving UPS and optional 1U external battery packs let you optimize rack space and battery runtime.



## New Rack PDU Options

The all new Vertiv™ Liebert® Rack PDU and Vertiv™ Liebert® Rack PDU are specifically designed for integration between the Liebert® GXT5 Lithium-Ion UPS and power distribution in the rack or to adjacent racks.



### New Rack Power Distribution Options

UPS VA rating	rPDU model number	Form-Factor	Input	Output Receptacles
5000VA MV UPS	VPON3202	Horizontal	L14-30P (10 ft Cord)	(8) NEMA 5-20R, (2) NEMA L6-30R
	VPON6200	Horizontal	Hardwired (L1-L2-N-G)	(6) NEMA L14-30R
6000VA To 10000VA MV UPS	VPON6202	Horizontal	Hardwired (L1-L2-N-G)	(4) NEMA L14-30R, (2) NEMA L6-30R
	VP4N6003	Vertical	Hardwired (L1-L2-N-G)	(18) C13/C19 Combo Outlets, (12) NEMA 5-20R, (3) NEMA L14-30R
5000VA HV (5KL630) UPS	VPON3223	Horizontal	L6-30P	(4) NEMA L6-20R, (2) NEMA L6-30R
6000VA To 10000VA GV UPS	VPON6263	Horizontal	Hardwired (L1-L2-G)	(6) NEMA L6-30R
	VPON6242	Horizontal	Hardwired (L1-L2-G)	(4) NEMA L6-20R & (2) NEMA L6-30R

### 5000VA – 120V/208V MV Rack/Tower

#### Communications

IntelliSlot™ (Web/SNMP Card), Serial Port, Dry Contacts, USB Port for Local and Remote Configuration and UPS Management

#### External Battery Connector

Scalable runtime solution supported for extended outage protection (up to 8 External Battery Cabinets)



External Bypass for service with integrated power distribution

### 6000VA – 120V/208V MV Rack/Tower

#### Communications

IntelliSlot™ (Web/SNMP Card), Serial Port, Dry Contacts, USB Port for Local and Remote Configuration and UPS Management

#### External Battery Connector

Scalable runtime solution supported for extended outage protection (up to 8 External Battery Cabinets)



#### Hardwired Output

Hardwire UPS Output to rPDU Extender or PDU

#### Maintenance Bypass

External Bypass for service with integrated power distribution



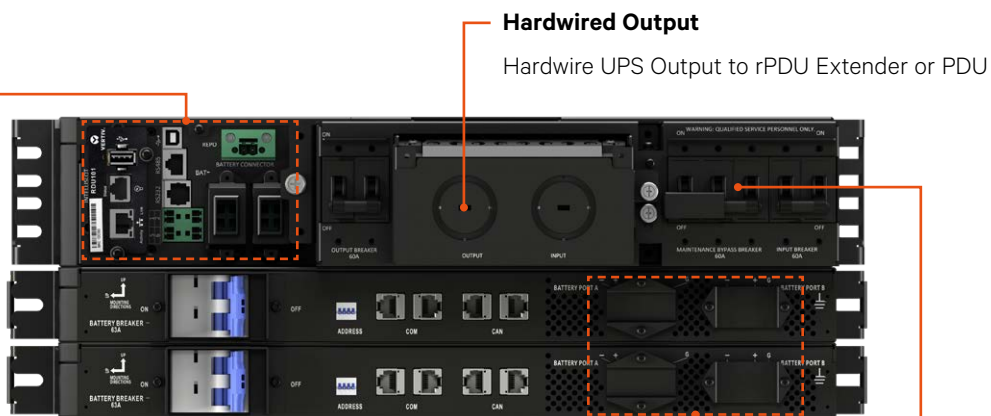
## 8000VA - 10,000 VA – 120V/208V MV Rack/Tower

### Communications

IntelliSlot™ (Web/SNMP Card), Serial Port, Dry Contacts, USB Port for Local and Remote Configuration and UPS Management

### External Battery Connector

Scalable runtime solution supported for extended outage protection (up to 8 External Battery Cabinets)



### Hardwired Output

Hardwire UPS Output to rPDU Extender or PDU

### Maintenance Bypass

External Bypass for service with integrated power distribution

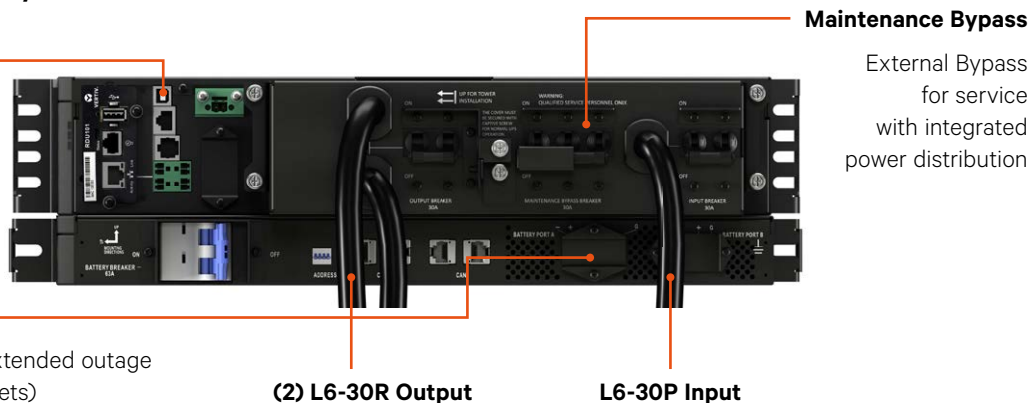
## 5000VA – 208V L6-30P Input Rack/Tower

### Communications

IntelliSlot™ (Web/SNMP Card), Serial Port, Dry Contacts, USB Port for Local and Remote Configuration and UPS Management

### External Battery Connector

Scalable runtime solution supported for extended outage protection (up to 8 External Battery Cabinets)



### Maintenance Bypass

External Bypass for service with integrated power distribution

(2) L6-30R Output

L6-30P Input

## 6000VA To 10000VA – 200V - 240V Rack/Tower

### Communications

IntelliSlot™ (Web/SNMP Card), Serial Port, Dry Contacts, USB Port for Local and Remote Configuration and UPS Management

### External Battery Connector

Scalable runtime solution supported for extended outage protection (up to 8 External Battery Cabinets)



### Hardwired Output

Hardwire UPS Output to rPDU Extender or PDU

### Maintenance Bypass

External Bypass for service with integrated power distribution

## Technical Specifications 5-10 kVA, MV

Standard Models	Liebert® GXT5LI-5000MVRT3UXLN	Liebert® GXT5LI-6000MVRT3UXLN	Liebert® GXT5LI-8000MVRT4UXLN	Liebert® GXT5LI-10KMVRT4UXLN
Form Factor	3U Rack/Tower		4U Rack/Tower	
Power Rating	5000 VA / 5000 W	6000 VA / 6000 W	8000 VA / 8000 W	10,000 VA / 10,000 W
<b>Dimensions, W x D x H, in (mm)</b>				
Unit	16.9 x 35 x 5.25 (3U) (430 x 890 x 133)	16.9 x 35 x 5.25 (3U) (430 x 890 x 133)	16.9 x 35 x 5.25 (3U) (430 x 890 x 133)	
Shipping	31.4 x 39.3 x 20.9 (798 x 998 x 532)		31.4 x 39.3 x 29.1 (798 x 998 x 739)	
<b>Weight, Lb (Kg)</b>				
Unit with EBCs*	104.9 (47.6)	100 (45.4)	156.3 (70.9)	
Unit without EBCs	56.4 (25.6)	51.5 (23.4)	59.3 (26.9)	
Shipping	176.3 (80)	158.7 (72)	247.7 (112.4)	
<b>Input/Output AC Parameters</b>				
Input Plug	NEMA L14-30P 3m (10ft) Attached	Hardwired (L1-L2-N-G)	Hardwired (L1-L2-N-G)	Hardwired (L1-L2-N-G)
Output	(2) NEMA L14-30R	Hardwired (L1-L2-N-G)	Hardwired (L1-L2-N-G)	Hardwired (L1-L2-N-G)
Nominal Voltage Setting	208VAC / 120VAC (Default); 240VAC / 120VAC (User-Configurable); ±1%			
Voltage Range Without Battery Operation	Nominal (Full Load): 90V - 150V AC (L-N); Maximum: 60 - 150VAC (L-N)			
Frequency Range	40-70Hz			
Surge Protection	ANSI C62.41, Category B			
Transfer Time	0 ms			
Battery Waveform	Pure Sine Wave			
<b>Battery Parameters</b>				
Type	Lithium-Ion (LiFePO4)			
Recharge Time (from full discharge)	< 2hrs to 90%	< 2hrs to 90%	< 2hrs to 90%	< 2hrs to 90%
Full-Load Runtime	12 min	10 min	13 min	10 min
Half-Load Runtime	25 min	21 min	27 min	21 min
Replacement Battery	N/A, external battery only	N/A, external battery only	N/A, external battery only	N/A, external battery only
External Battery Cabinet (quantity)	VEBCLI-192VRT1U (1)	VEBCLI-192VRT1U (1)	VEBCLI-192VRT1U (2)	VEBCLI-192VRT1U (2)
<b>Environmental Requirements</b>				
Operating Temperature,*F (°C)	32°F to 104°F (0°C to 40°C) (10% Derating at 50°C)			
Storage Temperature *F (°C)	-4° to 140° (-20° to 60°)			
Relative Humidity	0% - 95%, non-condensing			
Operating Altitude, ft (m)	0 to 10,000 (0 to 3,000) w/o Derating. (15% Derating at 4000m)			
Audible Noise	< 58 dB			
<b>Certifications</b>				
Safety	UL 1642 (Li-Ion Battery Cells), UL 1973 (Li-Ion Battery Pack w/UPS), UL 1778, CSA 22.2 No. 107.3			
Agency	UL 1778, c-UL, NOM, FCC Part 15, Class A			
Environmental	RoHS2 / REACH / WEEE			
Network Surge	IEC 61000-4-5, ANSI C62.41, Category B			
Transportation	ISTA Procedure 2A			
Warranty	5 years on UPS and Battery			
<b>Protection Plan</b>				
Equipment Protection Plan	Up To \$500,000 (For Covered Equipment)			

\*GXT5 Lithium-Ion 5kVA and 6kVA units come equipped with (1) EBC. GXT5 Lithium-Ion 8kVA and 10kVA MV units come equipped with (2) EBCs.



## Technical Specifications 5-10 kVA, HV/GV

Standard Models	Liebert® GXT5LI-5KL630RT3UXLN	Liebert® GXT5LI-6000GVRT3UXLN	Liebert® GXT5LI-8000GVRT3UXLN	Liebert® GXT5LI-10KGVRT3UXLN
Form Factor	3U Rack/Tower		3U Rack/Tower	
Maximum Power Rating	5000 VA / 4900 W	6000 VA / 6000 W	8000 VA / 8000 W	10,000 VA / 10,000 W
<b>Dimensions, W x D x H, in (mm)</b>				
Unit	16.9 x 35 x 5.25 (3U) (430 x 890 x 133)	16.9 x 35 x 5.25 (3U) (430 x 890 x 133)	16.9 x 35 x 5.25 (3U) (430 x 890 x 133)	
Shipping	31.4 x 39.3 x 20.9 (798 x 998 x 532)		31.4 x 39.3 x 20.9 (798 x 998 x 532)	
<b>Weight, Lb (Kg)</b>				
Unit with EBCs*	103 (47)	99 (45)	105 (48)	
Unit without EBCs	55 (25)	51 (23)	57 (26)	
Shipping	163 (74)	159 (72)	165 (75)	
<b>Input/Output AC Parameters</b>				
Input Plug	L6-30P	Hardwired (L1-L2/N-G)	Hardwired (L1-L2/N-G)	Hardwired (L1-L2/N-G)
Output	(2) L6-30R	Hardwired (L1-L2/N-G)	Hardwired (L1-L2/N-G)	Hardwired (L1-L2/N-G)
Nominal Voltage Setting	208VAC (Default); 200-240VAC (User-Configurable); ±1%	230VAC (Default); 200-240VAC (User-Configurable); ±1%		
Voltage Range Without Battery Operation	Nominal (Full Load): 176V - 288V AC; Maximum: 100 - 288VAC			
Frequency Range	40-70Hz			
Surge Protection	IEC 61000-4-5, ANSI C62.41, Category B			
Transfer Time	0 ms			
Battery Waveform	Pure Sine Wave			
<b>Battery Parameters</b>				
Type	Lithium-Ion (LiFePO4)			
Recharge Time (from full discharge)	< 2hrs to 90%	< 2hrs to 90%	< 2hrs to 90%	< 2hrs to 90%
Full-Load Runtime	11 min	9 min	5 min	4 min
Half-Load Runtime	25 min	19 min	15 min	11 min
Replacement Battery	N/A, external battery only	N/A, external battery only	N/A, external battery only	N/A, external battery only
External Battery Cabinet (quantity)	VEBCLI-192VRT1U (1)	VEBCLI-192VRT1U (1)	VEBCLI-192VRT1U (1)	VEBCLI-192VRT1U (1)
<b>Environmental Requirements</b>				
Operating Temperature, °F (°C)	32°F to 104°F (0°C to 40°C) (10% Derating at 50°C)			
Storage Temperature °F (°C)	-4° to 140° (-20° to 60°)			
Relative Humidity	0% - 95%, non-condensing			
Operating Altitude, ft (m)	0 to 10,000 (0 to 3,000) w/o Derating. (15% Derating at 4000m)			
Audible Noise	< 58 dB			
<b>Certifications</b>				
Safety	IEC 62040-1:2008+A1 2013, IEC 62619 1st Ed., UL 1642 (Li-Ion Battery Cells), UL 1973 (Li-Ion Battery Pack w/UPS), UL 1778, CSA 22.2 No. 107.3			
Agency	IEC 62040-1:2008+A1 2013, IEC 62619 1st Ed., IEC 62040-2 2nd Ed., IEC 61000-3-2, IEC 61000-3-12, CISPR22, Class A, FCC Part 15, Class A, UL 1778			
Environmental	RoHS2 / REACH / WEEE			
Network Surge	IEC 61000-4-5, ANSI C62.41, Category B			
Transportation	ISTA Procedure 2A			
Warranty	5 years on UPS and Battery			
<b>Protection Plan</b>				
Equipment Protection Plan	Up To \$500,000 (For Covered Equipment)			

## Optional Accessories

### External Battery Cabinets

UPS	External Battery Cabinet (quantity)
GXT5LI-5000MVRT3UXLN	VEBCLI-192VRT1U (1)
GXT5LI-6000MVRT3UXLN	VEBCLI-192VRT1U (1)
GXT5LI-8000MVRT4UXLN	VEBCLI-192VRT1U (2)
GXT5LI-10KMVRT4UXLN	VEBCLI-192VRT1U (2)

\*EBCs are hot-swappable, user-replaceable to allow for the full EBC to be replaced, as needed. Up to 8 EBCs can be used per UPS.

UPS	External Battery Cabinet (quantity)
GXT5LI-5000GVRT3UXLN	VEBCLI-192VRT1U (1)
GXT5LI-6000GVRT3UXLN	VEBCLI-192VRT1U (1)
GXT5LI-8000GVRT3UXLN	VEBCLI-192VRT1U (1)
GXT5LI-10KGVRT3UXLN	VEBCLI-192VRT1U (1)

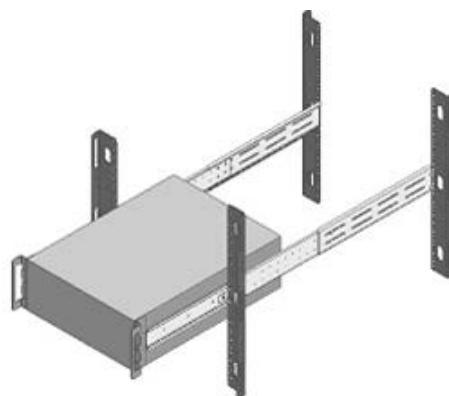


### Network communications and environmental sensors

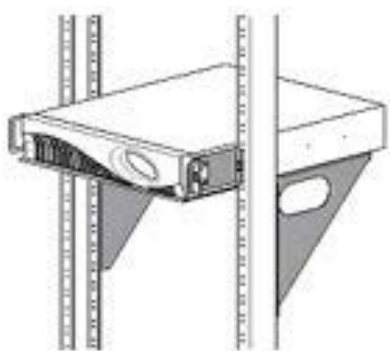
Network Communications	RDU101	Intellislot™ web card for SNMP and web management. Supports environmental sensors
	IS-RELAY	Intellislot™ Interface Kit for Relay Contacts
Environmental Sensors (Compatible with optional Liebert® network card RDU 101)	SN-Z01	Integrated cable with single temperature sensor
	SN-Z02	Integrated cable with three temperature sensors
	SN-Z03	Integrated cable with three temperature and one humidity sensors
	SN-T	Modular with single temperature sensor
	SN-TH	Modular with single temperature and single humidity sensor
	SN-2D	Modular with two door contact inputs
	SN-3C	Modular with three dry contact inputs
	SN-L20	Modular leak zone sensor with 20 foot cable (Liebert® RDU-S only)
UPS manageability options	Vertiv™ Power Insight Software Management	Vertiv™ Power Insight is a complimentary web-based software designed to monitor up to 100 Vertiv™ UPSs and Vertiv™ rPDUs



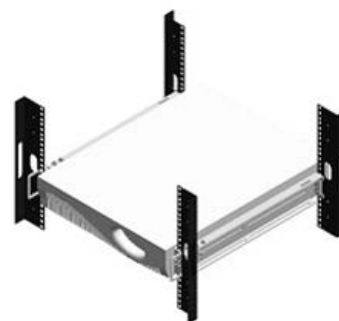
2POSTRMKIT



Rack Slide Kits for all Liebert® GXT5 Rack Tower Models (RMKIT 18-32)



Rack Shelves - Center mount shown  
RS600 / RS800



Standard 4-Post Rail Kit  
(included in the UPS box) 201193G1L

## Mounting Kit Options

Application	Model Supported	Style	Model	Description
2 Post Rack	Liebert® GXT5 UPS Family (500VA to 10kVA)	Shelf	RS500	Flush-mount shelf for 19" rack wide
		Shelf	RS600	Center-mount shelf for 19" rack wide
		Shelf	RS700	Flush-mount shelf for 23" rack wide
		Shelf	RS800	Center-mount shelf for 23" rack wide
	Liebert® GXT5 2U UPS (or 2U Section/Module)	Bracket	2POSTRMKIT	Front flush/ center-mount bracket - 4-piece design
4 Post Rack	Liebert GXT5 LI 2U UPS (or 2U Section/Module), or 1U Lithium-Ion EBC (VEBCLI-48/192RT1U)	Bracket	2POSTRMKIT1U	Front Flush/Center-Mount Bracket - 4-Piece Design
	Liebert® GXT5 UPS Family (500VA to 10kVA)	Bracket	RMKIT18-32	Cabinet/racks with 18" - 32" deep support rails - Telescopic rail

Note: RS600 and RS800 kits include adapter brackets for installation of up to (2) Liebert® GXT5 2U model

## Power Assurance Package:

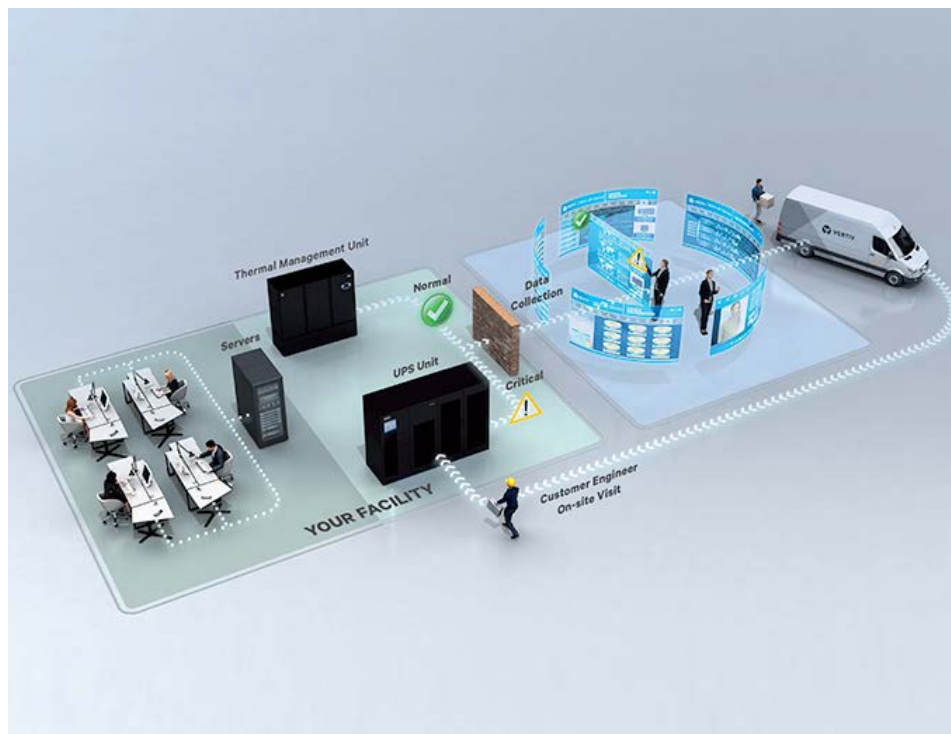
### Comprehensive Service Support for Critical Systems

- **Five-year protection plan** with 100% parts coverage and 24x7 emergency service
- **On-site installation and startup** of UPS and internal batteries (excludes hard-wired applications); configuration of new UPS and accessories; and if purchased, safe removal and disposal of legacy UPS and batteries
- **On-site service support** available 24x7 (within 150 miles of regional service center) and includes 100% labor and travel coverage
- **100% parts coverage** for UPS includes POD (power output distribution), web card, and battery defects
- **24x7 access** to customer resolution center and online access to Customer Services Network

### Key benefits:

- Frees up IT staff from maintaining and servicing UPS equipment, reduces the worry of critical equipment downtime
- Ensures rapid recovery in the event of failure (within 24-48 hours)
- Frees you from the responsibility of handling and documenting the disposal of legacy UPS and batteries

## Vertiv™ LIFE™ Remote Diagnostic Services for Rapid Response



Refer to page 11 for service SKUs

### Uptime assurance

- Continuous monitoring for early detection of trends and operating anomalies
- Analysis and interpretation of alarm and status messages

### Rapid incident response

- Automatic transmission of data for analysis
- Concurrent diagnosis and dispatch of engineer to site
- Shipment of parts for corrective maintenance

### Increased insight and ease of management

- Notification of operating conditions that may impact system health
- Periodic trend and analysis reports
- Integration of remote and on-site services to ensure business continuity

## Vertiv™ Liebert® GXT5 Lithium-Ion UPS - Power Assurance Services

### Power Assurance Package

Bundled Start-up Service AND 5-Year On-site Emergency Response	Standard	With LIFE™ Services	With Removal	With LIFE™ and Removal
Equipment Model / Type	Part Number	Part Number	Part Number	Part Number
Liebert® GXT5 LI 5KVA TO 6KVA	PAPGXTLI-5K6K	PAPGXTLI-5K6KLF	PAPGXTLI-5K6KRMV	PAPGXTLI-5K6KRLF
Liebert® GXT5 LI 8KVA TO 10KVA	PAPGXTLI-8-10K	PAPGXTLI-8-10KLF	PAPGXTLI-8-10KRMV	PAPGXTLI-8-10KRLF
External Battery Cabinets (192V)	PAPGXTLI-192VBATT	N/A	PAPGXTLI-192VBATRMV	N/A

### Power Startup Services

Startup Service Only	Standard	With Removal
Equipment Model / Type	Part Number	Part Number
Liebert GXT5 LI 5KVA TO 6KVA	SUGXT-5-6U7	SUGXT-5-6U7RMV
Liebert GXT5 LI 8KVA TO 10KVA	SUGXT-8-10U7	SUGXT-8-10U7RMV
External Battery Cabinet (192V)	SUGXT-EXTBTCB	SUGXT-EXTBTCBRMV

### Power Emergency Services

5-Year On-site Emergency Coverage - Only	Standard	With LIFE™ Services
Equipment Model / Type	Part Number	Part Number
Liebert® GXT5 LI5-6KVA	PEPGXTLI-5K6K5YR	PEPGXTLI-5K6KLF
Liebert® GXT5 LI8-10KVA	PEPGXTLI-8K10K5YR	PEPGXTLI-8K10KLF
Lithium-Ion External Battery Cabinet 192V	PEPGXTLI-192VBAT5YR	N/A

### Power Assurance Package - Summary

- Includes all below "Power Start-up Services" and "Power Emergency Services" support

### Power Startup Services - Summary

- Installation includes mounting and start-up of new UPS or EBC (excludes hard-wired applications)
- Services performed by Vertiv factory trained technician
- Services performed 7 X 24, excluding national holidays within the 48 contiguous states and Hawaii
- Removal and disposal of existing UPS or EBC equipment, if selected

### Power Emergency Services - Summary

- On Site Service Support
- Full-service five (5) year contract term commencing upon the start-up date
- 100% parts coverage, including POD, web card and battery defects
- 100% labor and travel coverage 7 days/week, 24 hours/day
- 24-Hour Customer Resolution Center via 1-800-LIEBERT
- Access to Customer Services Network portal

### LIFE™ Services includes above plus:

- Continuous Monitoring, Alarm Notification, Expert Analysis, and Proactive Response

Note: LIFE Services requires an RDU101 card.

Please refer to the Scopes of Work for full and additional details.



**Vertiv.com** | Vertiv Headquarters, 505 N Cleveland Ave, Westerville, OH 43082, USA

© 2024 Vertiv Group Corp. All rights reserved. Vertiv™ and the Vertiv logo are trademarks or registered trademarks of Vertiv Group Corp. All other names and logos referred to are trade names, trademarks or registered trademarks of their respective owners. While every precaution has been taken to ensure accuracy and completeness here, Vertiv Group Corp. assumes no responsibility, and disclaims all liability, for damages resulting from use of this information or for any errors or omissions. Specifications, rebates and other promotional offers are subject to change at Vertiv's sole discretion upon notice.

SL-70996 (R02/24)