



NetSure™ -48 VDC to -58 VDC Output Converter Upgrade Kit

Installation Manual

Kit Specification Number: 60029556

For Use in Spec. Nos. 582127000ZZ003, 582127000ZZ011, and 582127000ZZ033 Power Systems

The information contained in this document is subject to change without notice and may not be suitable for all applications. While every precaution has been taken to ensure the accuracy and completeness of this document, Vertiv assumes no responsibility and disclaims all liability for damages resulting from use of this information or for any errors or omissions. Refer to other local practices or building codes as applicable for the correct methods, tools, and materials to be used in performing procedures not specifically described in this document.

The products covered by this instruction manual are manufactured and/or sold by Vertiv. This document is the property of Vertiv and contains confidential and proprietary information owned by Vertiv. Any copying, use or disclosure of it without the written permission of Vertiv is strictly prohibited.

Names of companies and products are trademarks or registered trademarks of the respective companies. Any questions regarding usage of trademark names should be directed to the original manufacturer.

Technical Support Site

If you encounter any installation or operational issues with your product, check the pertinent section of this manual to see if the issue can be resolved by following outlined procedures.

Visit <https://www.vertiv.com/en-us/support/> for additional assistance.

TABLE OF CONTENTS

Admonishments Used in this Document.....	iv
Important Safety Instructions.....	v
Safety Admonishments Definitions.....	v
Safety and Regulatory Statements.....	v
Déclarations de Sécurité et de Réglementation.....	v
1 Vertiv™ NetSure™ -48 VDC to -58 VDC Converter Upgrade Kit Installation Instructions.....	1
1.1 Kit Description.....	1
1.2 Restrictions.....	1
1.3 Kit Contents.....	1
1.4 Tools and Material Required.....	1
1.5 Installation Procedure.....	2
1.6 Backing Up the NCU Configuration.....	14
1.6.1 NCU Version 1.1.80, or Later.....	14
1.6.2 NCU Version 1.1.70, or Earlier.....	15
1.7 Reloading a Backed-Up NCU Configuration.....	17
1.7.1 NCU Version 1.1.80, or Later.....	17
1.7.2 NCU Version 1.1.70, or Earlier.....	18

Admonishments Used in this Document



DANGER! Warns of a hazard the reader **will** be exposed to that will **likely** result in death or serious injury if not avoided. (ANSI, OSHA)



WARNING! Warns of a potential hazard the reader **may** be exposed to that **could** result in death or serious injury if not avoided. This admonition is not used for situations that pose a risk only to equipment, software, data, or service. (ANSI)



CAUTION! Warns of a potential hazard the reader **may** be exposed to that **could** result in minor or moderate injury if not avoided. (ANSI, OSHA) This admonition is not used for situations that pose a risk only to equipment, data, or service, even if such use appears to be permitted in some of the applicable standards. (OSHA)



ALERT! Alerts the reader to an action that **must be avoided** in order to protect equipment, software, data, or service. (ISO)



ALERT! Alerts the reader to an action that **must be performed** in order to prevent equipment damage, software corruption, data loss, or service interruption. (ISO)



FIRE SAFETY! Informs the reader of fire safety information, reminders, precautions, or policies, or of the locations of fire-fighting and fire-safety equipment. (ISO)



SAFETY! Informs the reader of general safety information, reminders, precautions, or policies not related to a particular source of hazard or to fire safety. (ISO, ANSI, OSHA)

Important Safety Instructions

Safety Admonishments Definitions

Definitions of the safety admonishments used in this document are listed under “Admonishments Used in this Document” on page iv.

Safety and Regulatory Statements

Refer to Section 4154 (provided with your customer documentation) for Safety and Regulatory Statements.

Déclarations de Sécurité et de Réglementation

Reportez-vous à la Section 4154 (fourni avec les documents de votre client) pour les déclarations de sécurité et de réglementation.

This page intentionally left blank.

1 Vertiv™ NetSure™ -48 VDC to -58 VDC Converter Upgrade Kit Installation Instructions

1.1 Kit Description

These instructions provide a step-by-step procedure to field install this kit into Vertiv™ NetSure™ 721 Power Systems (Spec. Nos. 582127000ZZ003, 582127000ZZ011, and 582127000ZZ033). Installation of this kit in other equipment should not be attempted.

This kit provides components to change converter module mounting positions for Spec. No. 1C48241500 (-48 VDC to +24 VDC) converter modules to mounting positions for Spec. No. 1C48582000P3 (-48 VDC to -58 VDC) converter modules. It also provides components to change the breaker positions in the distribution cabinet from +24 VDC to -58 VDC. A backout procedure is also provided.

1.2 Restrictions

You MUST have an NCU Controller in your system to use the Spec. No. 1C48582000P3 (-48 VDC to -58 VDC) converter modules.

1.3 Kit Contents

Table 1.1 lists the items furnished as a part of this kit. Before installing the kit, check the items furnished against those listed to ensure that there are no shortages.

Table 1.1 Kit Contents

P/N	Description	Qty.
60028735	Use Only -58 VDC Converters Caution Label	12
60029476	Load Distribution Position Label (Reversible -58VDC or -48VDC)	10
60029477	Load Distribution Position Direction Arrow Label (-58VDC / -48VDC)	1
60027289	Rectifier/-58 VDC Converter Module Mounting Positions Label	2
60029577	Field Retrofitted for Use with -58 VDC Converters Nameplate Label	1
245126200	Quick Connect Terminal	1
60027773	Fuse Alarm Jumper Harness	1
237650200	Cable Tie	6
552423	Hook-and-Loop Fastener (factory attached to storage pouch)	2
150661	USB Memory Device with Storage Pouch (contains new NCU configuration and customer documentation)	1

1.4 Tools and Material Required

Table 1.2 lists the items required to install this kit.

Table 1.2 Tools and Material Required

Description
7/16" Socket
Small Flat-Blade Screwdriver
#2 Phillips Screwdriver
Torque Wrench
Spec. No. 1C48582000P3 (-48 VDC to -58 VDC) Converter Modules (as required)

1.5 Installation Procedure

THESE INSTRUCTIONS SHOULD BE READ THROUGH COMPLETELY BEFORE INSTALLING THE KIT.

The following is a step-by-step procedure to install the kit. The procedure has been written for ease of use and to minimize the possibility of contact with potentially hazardous energy. This procedure should be performed in the sequence given, and each step should be completely read and fully understood before performing that step. Observe all “Important Safety Instructions” starting on page v and also those presented in the following procedure. As each step of the procedure is completed, the box adjacent to the respective step should be checked. This will minimize the possibility of inadvertently skipping any steps. If the step is not required to be performed for your site, also check the box to indicate that it was read.

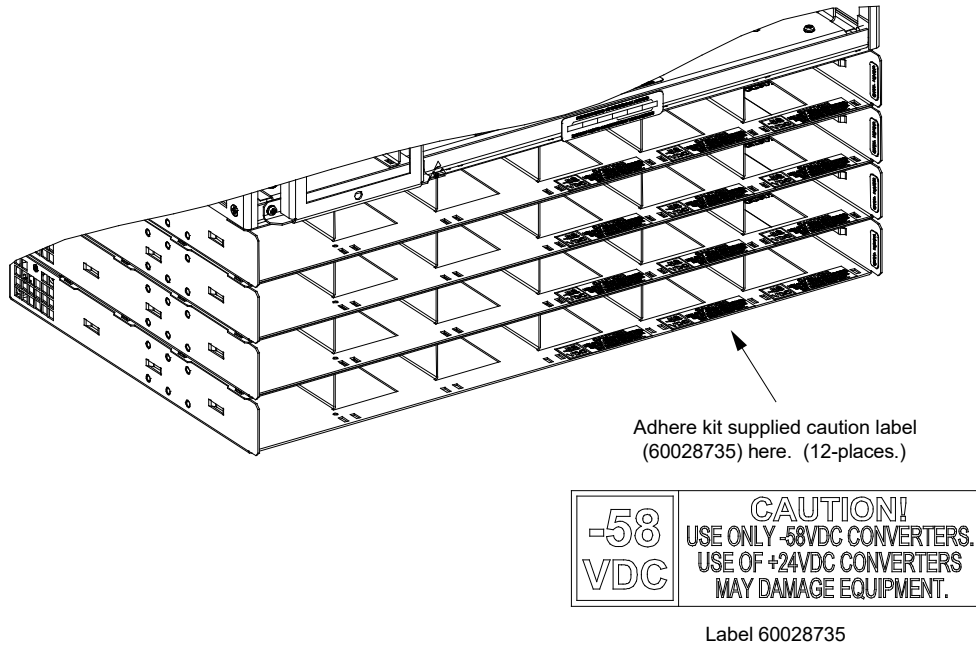
Procedure



DANGER! This procedure is performed on a LIVE system. Observe the “Important Safety Instructions” starting on page v and those listed in the power system manual.

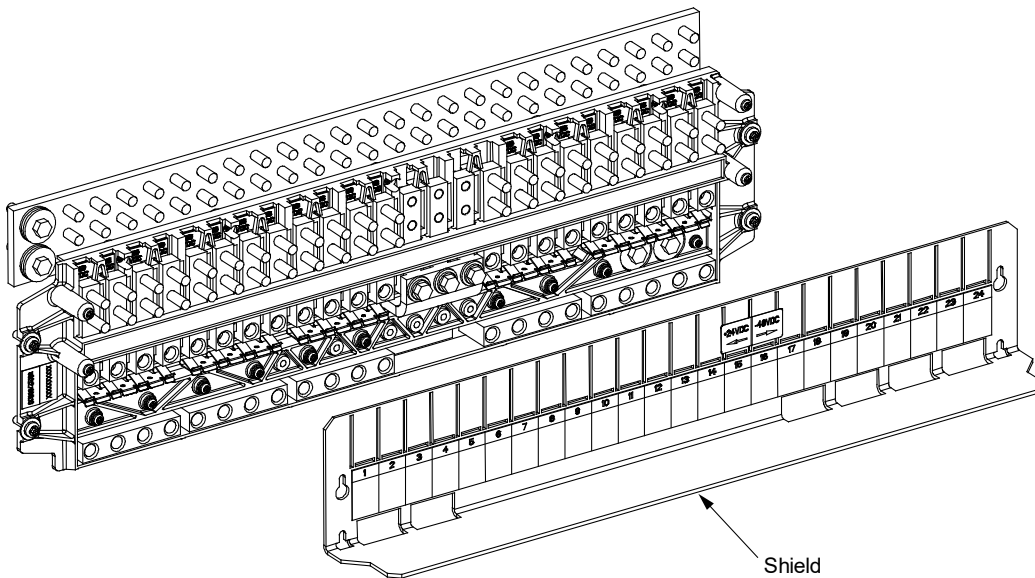
- [] 1. Performing this procedure may activate external alarms. Do one of the following. If possible, disable these alarms. If these alarms cannot be easily disabled, notify the appropriate personnel to disregard any future alarms associated with this system while the procedure is being performed.
- [] 2. If your system has an ACU+ controller, replace it with an NCU controller (P/N 1M830DNA559246).
- [] 3. If your system ORIGINALLY had an NCU controller, refer to “Backing Up the NCU Configuration” on page 14 and backup the controller configuration.
- [] 4. Open the distribution cabinet door. Ensure that there are no loads/cables connected to the +24V circuit breaker positions. Upon completion of this upgrade, the system will no longer support +24V loads. If there are loads tied to the +24V positions, these will need to be removed and connected to a separate +24V system.
- [] 5. Remove all existing +24 VDC output converter modules from the module mounting shelves.
- [] 6. Clear the converter Communication and/or Lost alarms via the controller, if applicable. Via the controller front panel main screen, navigate to the Settings Icon in the upper left of the main screen and press the ENT key. Enter your username and password. Use the arrow keys to scroll to the Alarm Settings Menu and press the ENT key. Use the arrow keys to scroll to the ClrAllConvCommF and press the ENT key. Use the arrow keys to scroll to the ClrConvCommFail and press the ENT key. Use the arrow keys to scroll to the Clear Conv Lost and press the ENT key.
- [] 7. Adhere kit supplied “Use Only -58 VDC Converters” caution label (60028735) to each of the twelve (12) module mounting slots shown in Figure 1.1. Orient the labels between the two (2) rectangular slots used for the converter module locking tabs. Align front edge of label to front edge of shelf. **Do Not** cover the converter module locking tab slots.

Figure 1.1 Adhere 60028735 Labels



- [] 8. Open the distribution cabinet front door.
- [] 9. Remove the shield from the top distribution panel by loosening the screws securing it and lifting the shield up and out (see Figure 1.2).

Figure 1.2 Remove Shield



- [] 10. Press in tabs to release distribution device lead busbars. See Figure 1.3.
- [] 11. Remove distribution device lead busbars. See Figure 1.3.

- [] 12. Remove +24 VDC distribution position labels and replace with -58 VDC distribution position labels (60029476) (6-places.). See Figure 1.3. Save the +24 VDC distribution position labels.
- [] 13. Reverse order steps to re-assemble. See Figure 1.3.
- [] 14. Adhere load distribution position direction arrow label (-58VDC / -48VDC) (60029477) over existing label (1-place). See Figure 1.3.



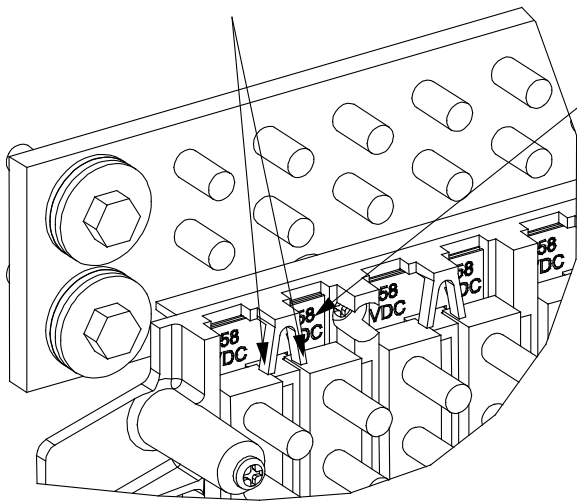
NOTE! *If some of the -48V positions on the right side need to be converted to -58V positions, refer to your system manual to rework the distribution bus to convert the desired positions. The system needs to be shut down (not live) to do this if those positions are currently being used for load. If you convert some of the -48V positions to -58V positions, -58V labels are provided in the kit to mark these distribution positions for the new voltage.*



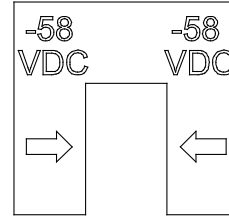
DANGER! If you convert any of the distribution positions on the right side (see Figure 1.3), you MUST shut down the system first if those positions are currently being used for load. Observe the “Important Safety Instructions” starting on page v and those listed in the power system manual.

Figure 1.3 Install 60029476 and 60029477 Labels

1. Press in tabs to release distribution device lead busbars.



3. Remove +24 VDC distribution position label and replace with -58 VDC distribution position label (60029476). (6-places.)

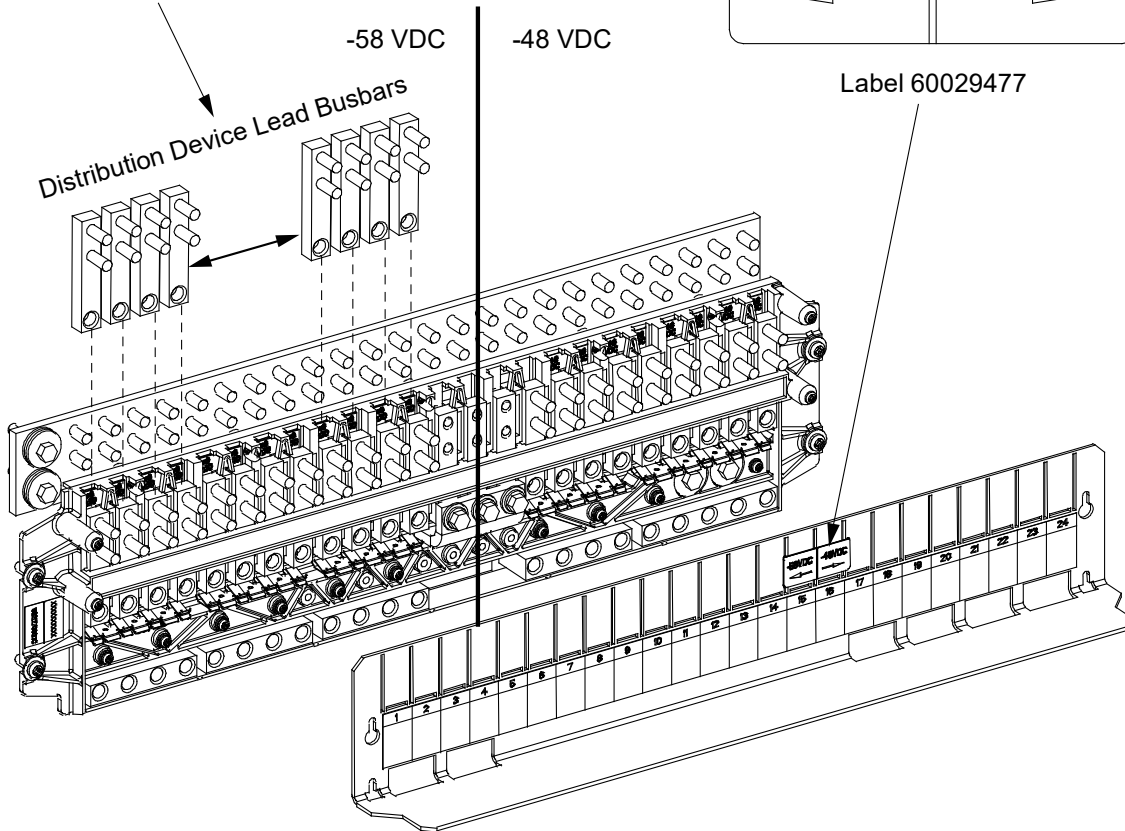


Label 60029476

4. Reverse order steps to re-assemble.

5. Adhere load distribution position direction arrow label (-58VDC / -48VDC) (60029477) over existing label. (1-place.)

2. Remove distribution device lead busbars.

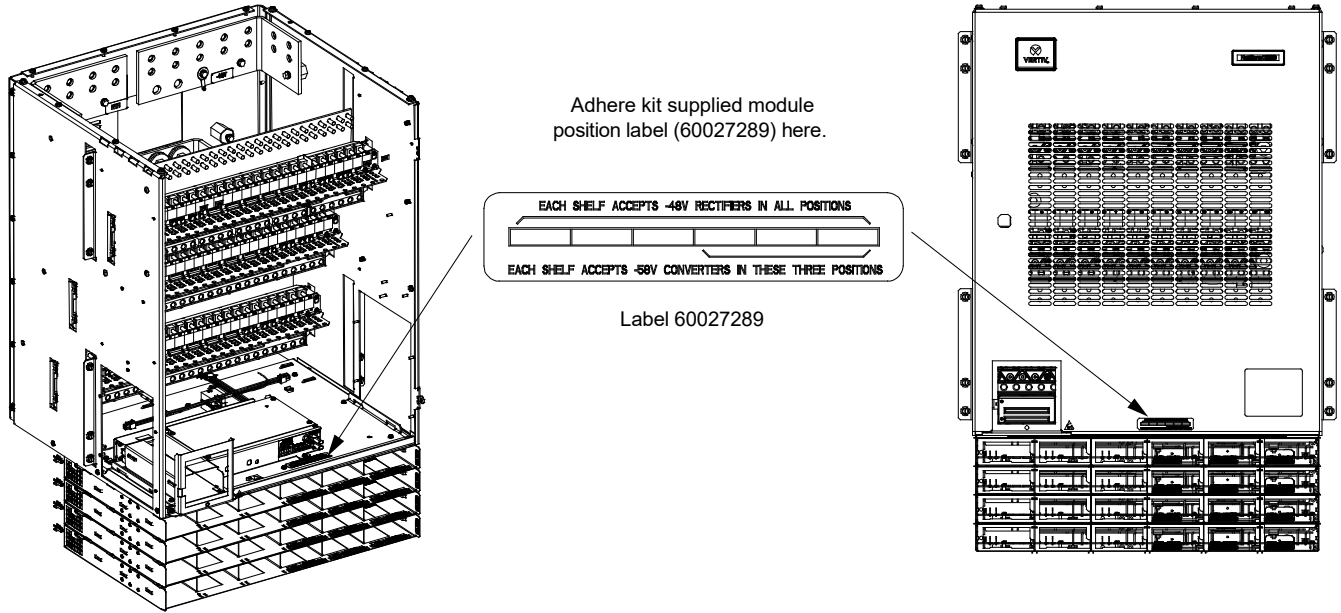


Label 60029477

[] 15. Replace the top distribution panel shield.

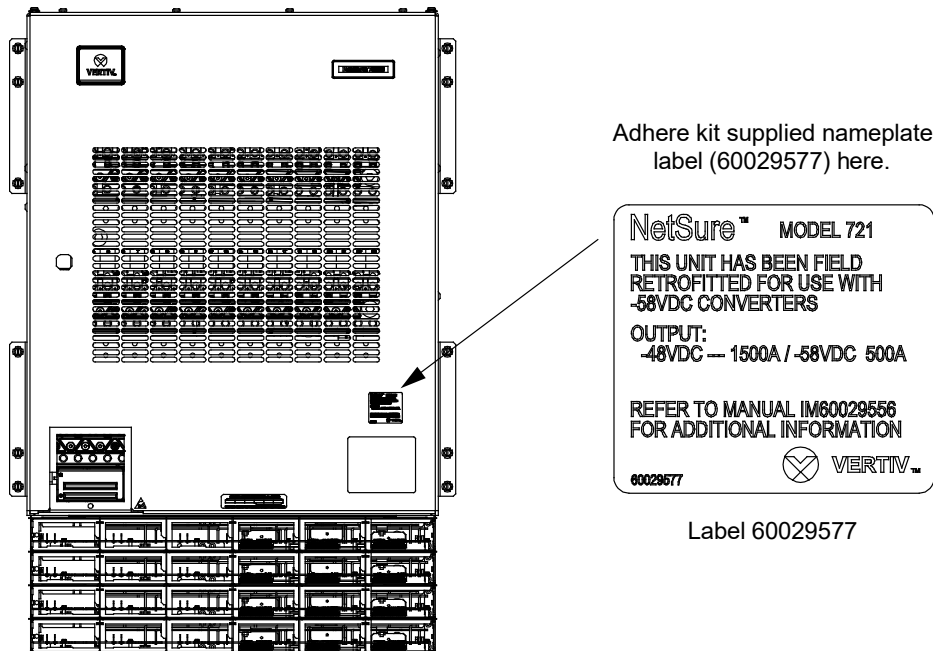
- [] 16. Adhere one of the kit supplied module position labels (60027289) over the existing module position label on the front door. Adhere the second kit supplied module position label (60027289) over the existing module position label on the inside bottom of the distribution cabinet. See Figure 1.4.

Figure 1.4 Adhere 60027289 Label



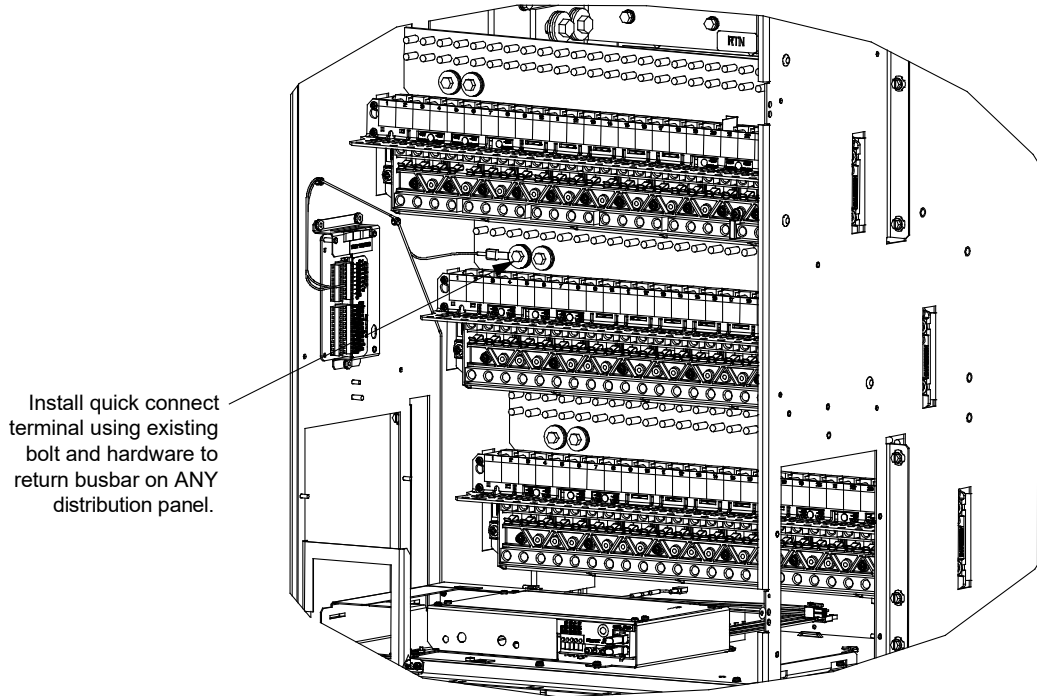
- [] 17. Adhere kit supplied nameplate label (60027891) above the existing nameplate label. See Figure 1.5.

Figure 1.5 Adhere 60029577 Label



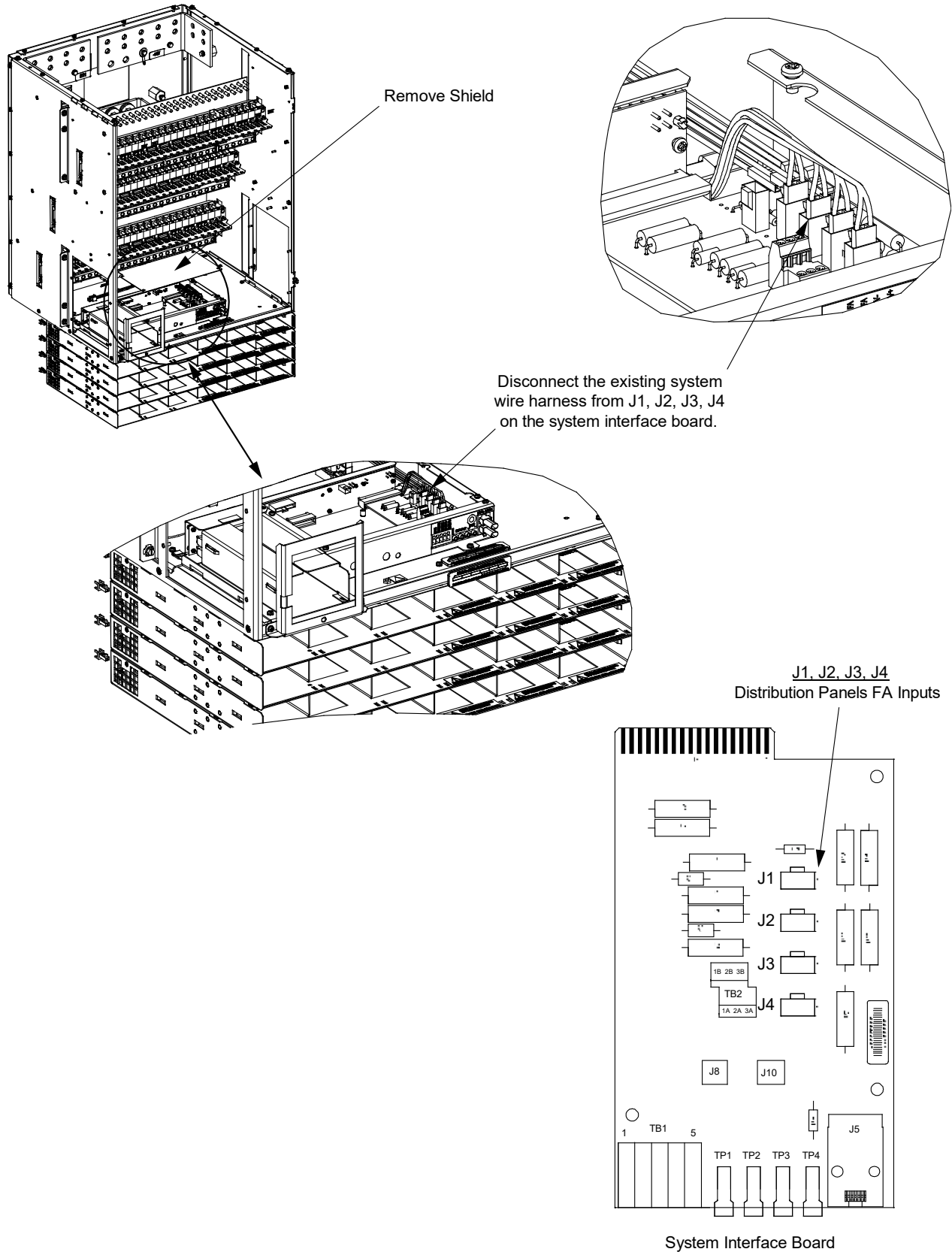
- [] 18. Install kit supplied quick connect terminal (245126200) to return busbar on ANY distribution panel. Figure 1.6 shows the quick connect terminal attached to the middle distribution panel for reference. Install using the existing 1/4-20 bolt and hardware. Re-torque the 1/4-20 bolt to 84 in-lbs.

Figure 1.6 Installing Quick Connect Terminal



- [] 19. Remove the shield from the control shelf located at the bottom of the distribution cabinet. See Figure 1.7.
- [] 20. Disconnect the existing system wire harness from J1, J2, J3, and J4 on the system interface board (label connectors before removing). See Figure 1.7.

Figure 1.7 Disconnecting Existing System Wire Harness



- [] 21. Install kit supplied fuse alarm jumper harness (60027773). See Figure 1.8 and Figure 1.9.
- Route the fuse alarm jumper harness ORANGE (O) wire and connect to the IB2-1 controller interface board terminal J4-5 (DI6-). See Figure 1.8.
 - Route the fuse alarm jumper harness BLACK (BK) wire and connect to the IB2-1 controller interface board terminal J4-6 (DI6+). See Figure 1.8.
 - Connect the fuse alarm jumper harness to the quick connect terminal previously installed ANY distribution panel return busbar. Figure 1.9 shows the quick connect terminal on middle panel for reference.
 - Route the fuse alarm jumper harness from the quick connect terminal block down to the system interface board. See Figure 1.9.
 - Plug the mating connectors (P1, P2, P3, P4) of the fuse alarm jumper harness into J1, J2, J3, and J4 on the system interface board. See Figure 1.9.
 - Plug the remaining connectors (J1, J2, J3, J4) on the fuse alarm jumper harness into the mating connector of the existing system wire harness (previously disconnected from J1, J2, J3, and J4 on system interface board in a previous step). See Figure 1.9.

Figure 1.8 IB2-1 Controller Interface Board

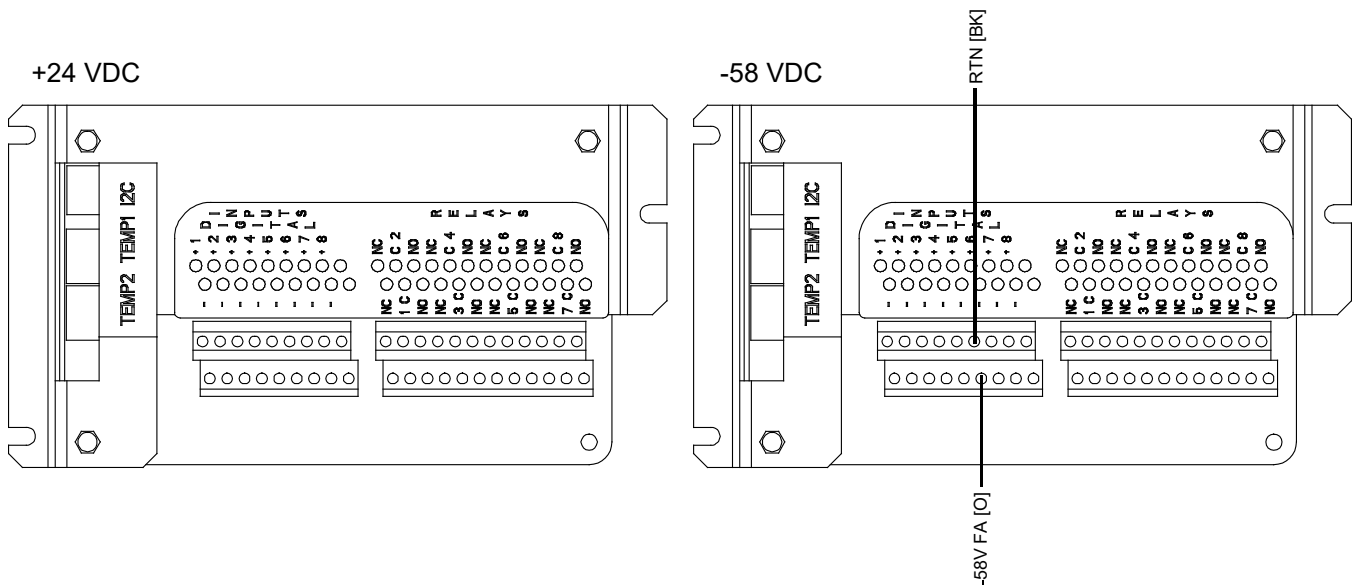
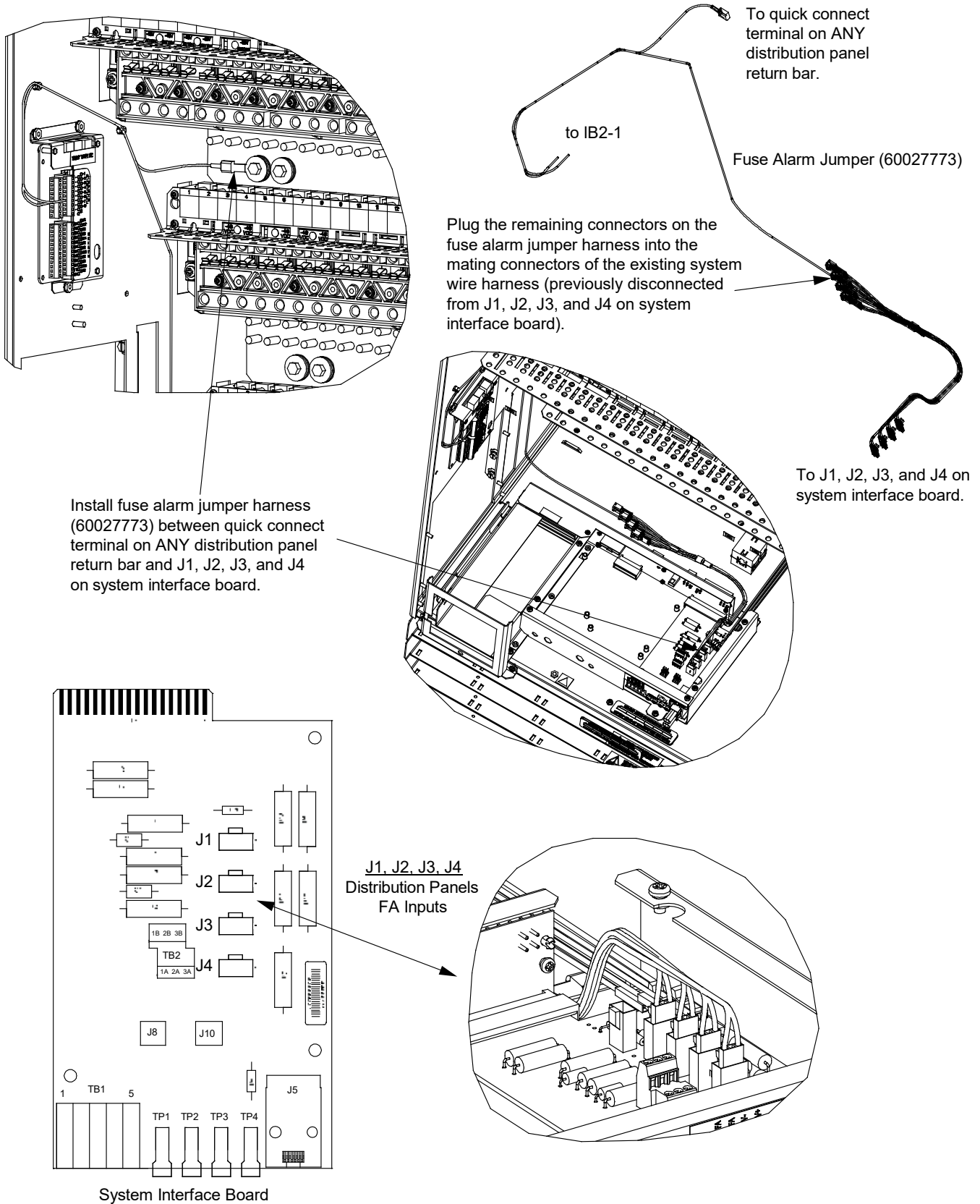
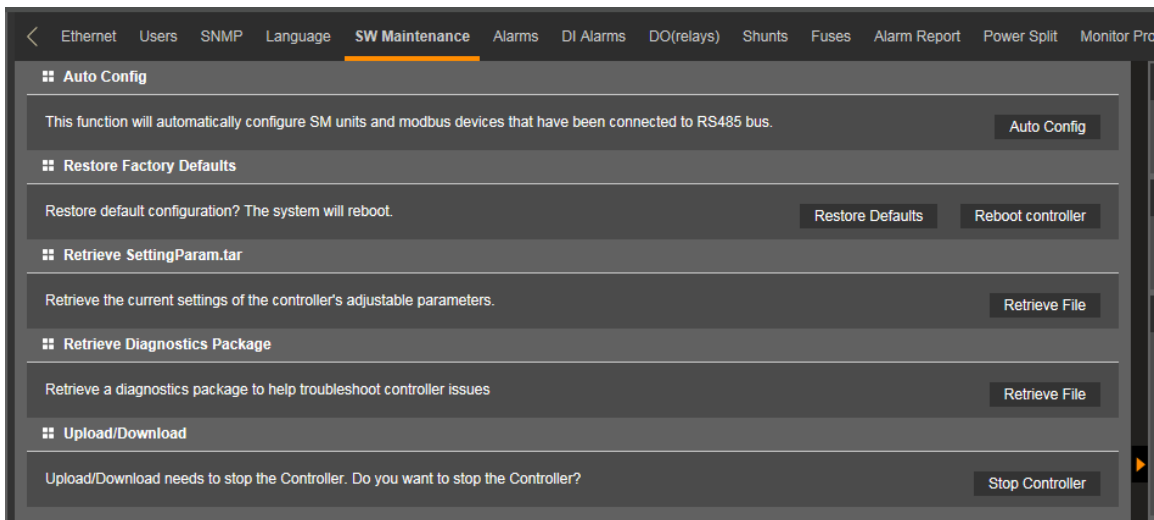


Figure 1.9 Installing Fuse Alarm Jumper Harness



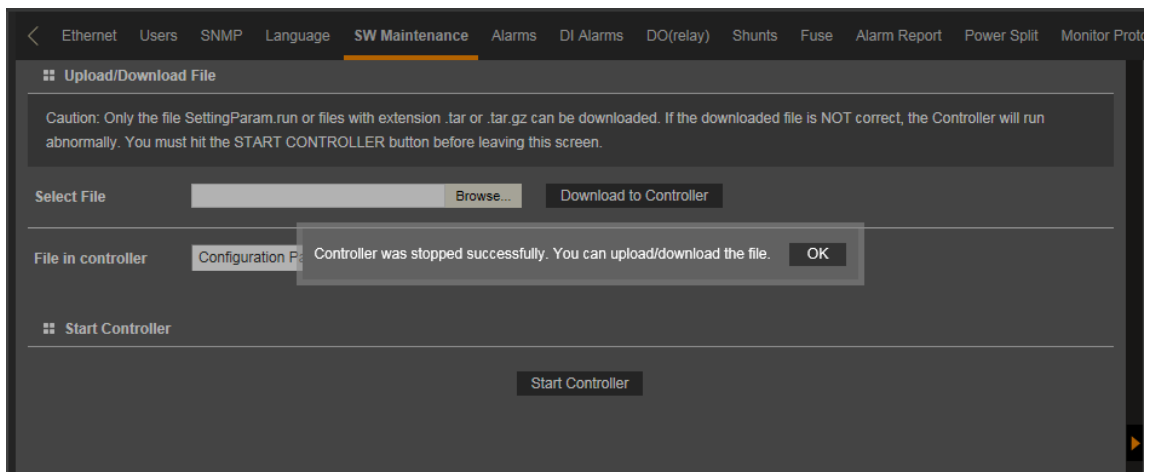
- [] 22. Re-install the shield to the control shelf located at the bottom of the distribution cabinet
- [] 23. Dress and secure the fuse alarm jumper harness with the kit supplied cable ties (237650200).
- [] 24. Update the controller configuration file as follows.
 - a) Copy the Application “All” package file located on the kit supplied USB drive to your computer. The name of the Application "All" Package file ends in .tar or .tar.gz.
 - b) In the NCU WEB interface, go to Advance Settings Menu / SW Maintenance Tab.
 - c) To download the Application “All” package into the NCU, you need to shut down the controller first. When you select the SW Maintenance Tab, click on the “Stop Controller” button.

Figure 1.10 Upload/Download - Stop Controller

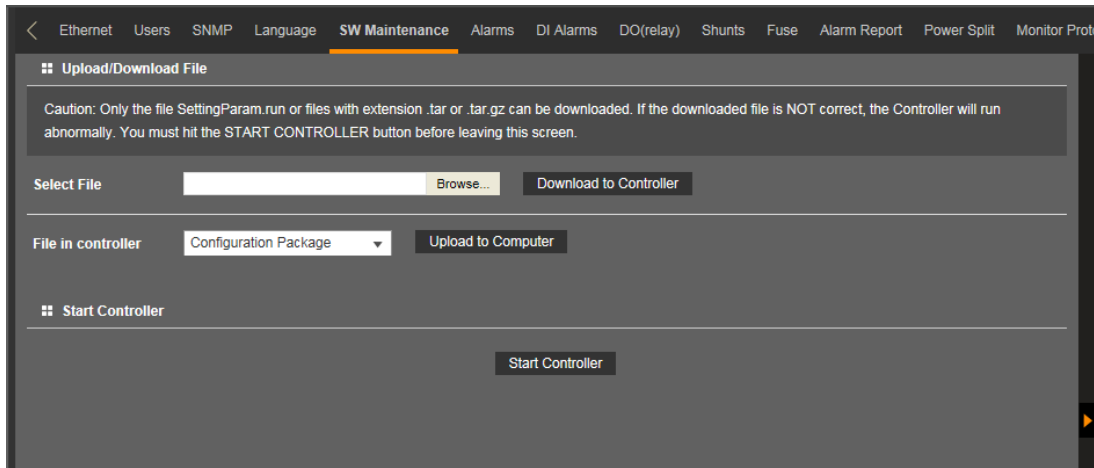


- d) The following window opens.

Figure 1.11 Upload/Download - Controller Stopped



- e) Click "OK".
- f) The following window opens.

Figure 1.12 Upload/Download File

ALERT! Never navigate from this Web page without first clicking on "Start Controller". If you do, you will not have Web access. A manual system reset is required to restore Web access.

- g) To **download** (from your computer into the controller) the application ("All") package; click the "Browse..." button and navigate to the folder where the file to download is located. Select the file to be downloaded and then click the "Download to Controller" button. This may take several minutes. Click "Start Controller" to restart the controller with the downloaded file installed.
 - h) From the NCU WEB interface Homepage, verify the software version is V1.2.30, or later.
- [] 25. If your system **ORIGINALLY** had an NCU controller, refer to "Reloading a Backed-Up NCU Configuration" on page 17 and restore the backed-up controller configuration file saved in step [] 3.
 - [] 26. Close the distribution cabinet front door.
 - [] 27. Install separately ordered converter modules 1C48582000P3 in the far right mounting positions shown in Figure 1.1 and Figure 1.4, as required.
 - [] 28. Click on the converter icon in the NCU WEB interface power system status block diagram. This brings up the converter group status page. Check the converter output voltage and the status of each converter installed to verify all converters installed are active.
 - [] 29. Enable the external alarms or notify appropriate personnel that this procedure is finished.
 - [] 30. Ensure that there are no local or remote alarms active on the system.
 - [] 31. If your system **ORIGINALLY** had an ACU+ controller, refer to "Backing Up the NCU Configuration" on page 14 and backup the controller configuration. Save this configuration file in case the NCU configuration ever needs to be reloaded.
 - [] 32. Save these instructions in case a backout procedure needs to be performed at a later date.

Backout Procedure

If the power system needs to revert back to -48V/+24V operation, perform the following procedure.

- [] 1. Performing this procedure may activate external alarms. Do one of the following. If possible, disable these alarms. If these alarms cannot be easily disabled, notify the appropriate personnel to disregard any future alarms associated with this system while the procedure is being performed.
- [] 2. Remove all existing -58 VDC output converter modules from the module mounting shelves.
- [] 3. Remove the “Use Only -58 VDC Converters” caution labels (60028735).
- [] 4. Open the distribution cabinet front door.
- [] 5. Remove the shield from the top distribution panel.
- [] 6. Press in tabs to release distribution device lead busbars for the -58V positions.
- [] 7. Remove distribution device lead busbars for the -58V positions.
- [] 8. Remove -58 VDC distribution position labels and replace with the saved +24 VDC distribution position labels (6-places).
- [] 9. Reverse order steps to re-assemble.
- [] 10. Remove load distribution position direction arrow label (-58VDC / -48VDC) (60029477) (1-place).
- [] 11. Replace the shield to the top distribution panel.
- [] 12. Remove the kit supplied module position label (60027289).
- [] 13. Remove the kit supplied nameplate label (60027891).
- [] 14. Remove the shield from the control shelf located at the bottom of the distribution cabinet.
- [] 15. Remove, insulate, and tie-back the fuse alarm jumper harness BLACK (BK) wire from the IB2-1 controller interface board terminal J4-6 (DI6+).
- [] 16. Remove, insulate, and tie-back the fuse alarm jumper harness ORANGE (O) wire from the IB2-1 controller interface board terminal J4-5 (DI6-).
- [] 17. Remove and insulate the connector plugged in J1, J2, J3, and J4 of the system interface board.
- [] 18. Separate and insulate the connectors on the fuse alarm jumper harness from the system wire harness. Connect the system wire harness connectors to J1, J2, J3, and J4 on the system interface board.
- [] 19. Remove, insulate, and tie-back the fuse alarm jumper harness from the quick connect terminal installed on the middle distribution panel return busbar.
- [] 20. Re-install the shield to the control shelf located at the bottom of the distribution cabinet.
- [] 21. Close the distribution cabinet front door.
- [] 22. Install converter modules 1C48241500 in the far-right converter module mounting positions, as required.
- [] 23. Enable the external alarms or notify appropriate personnel that this procedure is finished.
- [] 24. Ensure that there are no local or remote alarms active on the system.

1.6 Backing Up the NCU Configuration

1.6.1 NCU Version 1.1.80, or Later

General

To back up the NCU configuration, simply save the file named "SettingParam.tar".

Saving the "SettingParam.tar" File

Local Menu Navigation:

None.

Web Menu Navigation:

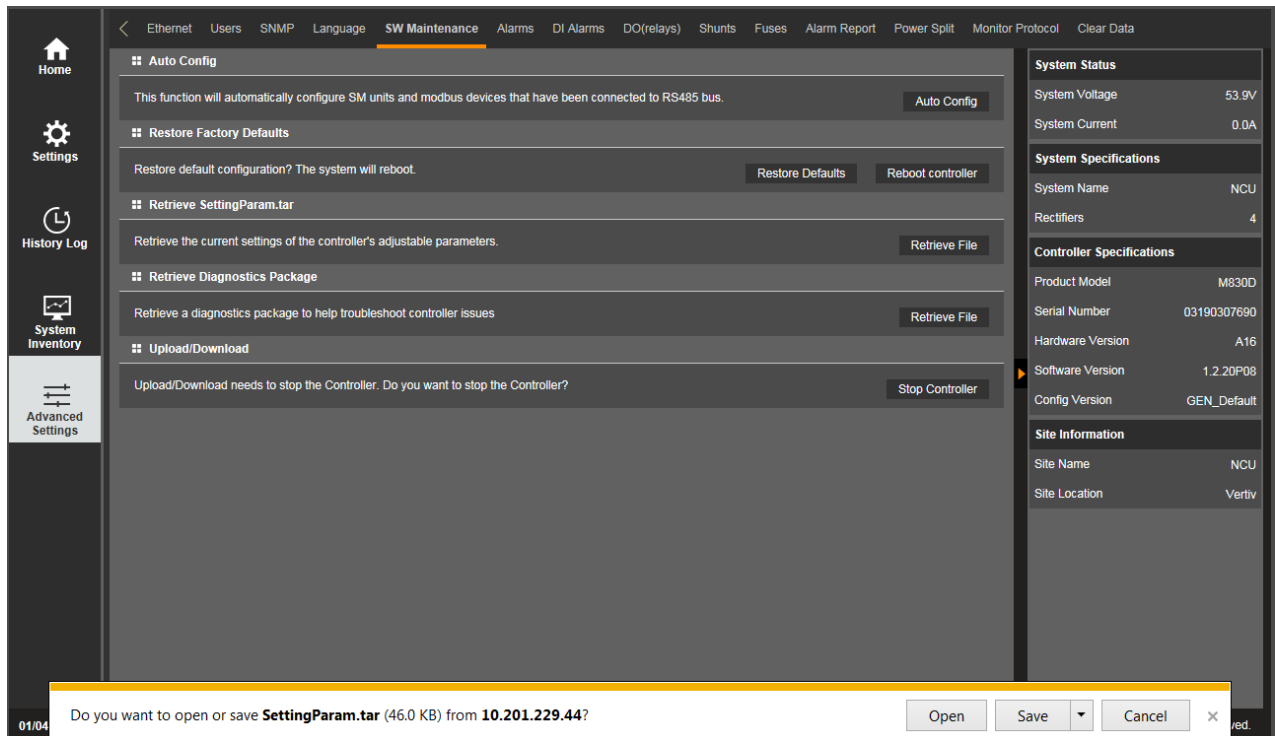
Advance Settings Menu / SW Maintenance Tab.

Procedure

1. Click on the "Retrieve File" button to save the file named "SettingParam.tar" to your computer. Select where you want the file to be copied to on your computer.

To aid in file management, you may change the name of the "SettingParam.tar" file to differentiate it from other "SettingParam.tar" files saved. The new name can use alpha and numeric characters preceding the original "SettingParam.tar" name (the end of the new file name **must** always be "SettingParam.tar"; for example, an acceptable filename would be "seville4SettingParam.tar").

Figure 1.13 Retrieve "SettingParam.tar" File



1.6.2 NCU Version 1.1.70, or Earlier

General

There are two steps in backing up the system's NCU configuration:

- Save the NCU configuration package. This package includes the base configuration and any changes made to alarm severity levels, relay assignments, signal names and site information.
- Save a file named "SettingParam.run". This file contains changes made to alarm setpoints and other settings such as float/equalize voltage, etc. A file named "SettingParam.run" is automatically created/appended by the controller whenever a User (or the factory at the time of shipment) makes changes to parameter settings via the local display or Web Interface. This file can be saved to your computer so you can restore any custom settings you may have made.

Saving the Configuration Package

Local Menu Navigation:

None.

Web Menu Navigation:

Advance Settings Menu / SW Maintenance Tab.

Procedure

You can upload (from the controller to your computer) a configuration package.

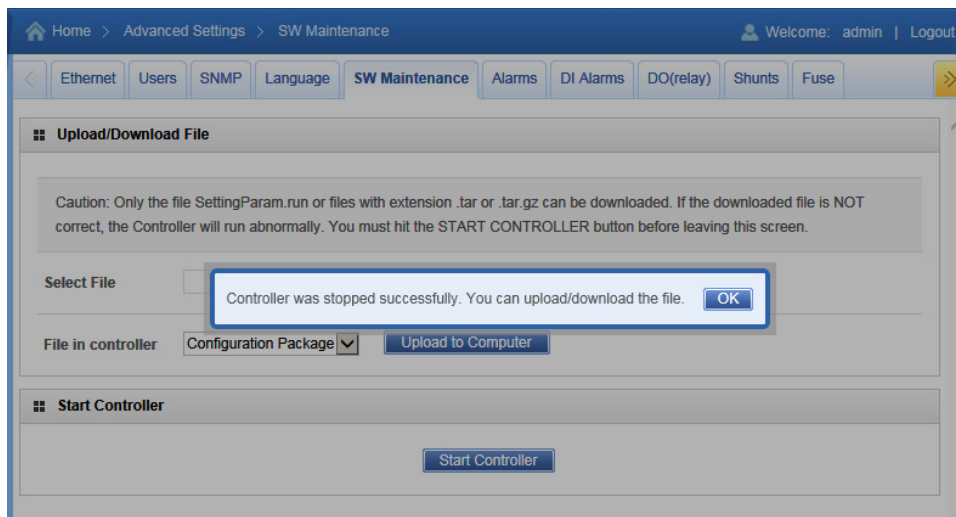
1. To upload a file, you need to shut down the controller first. When you select the SW Maintenance Tab, click on the "Stop Controller" button.

Figure 1.14 Upload - Stop Controller



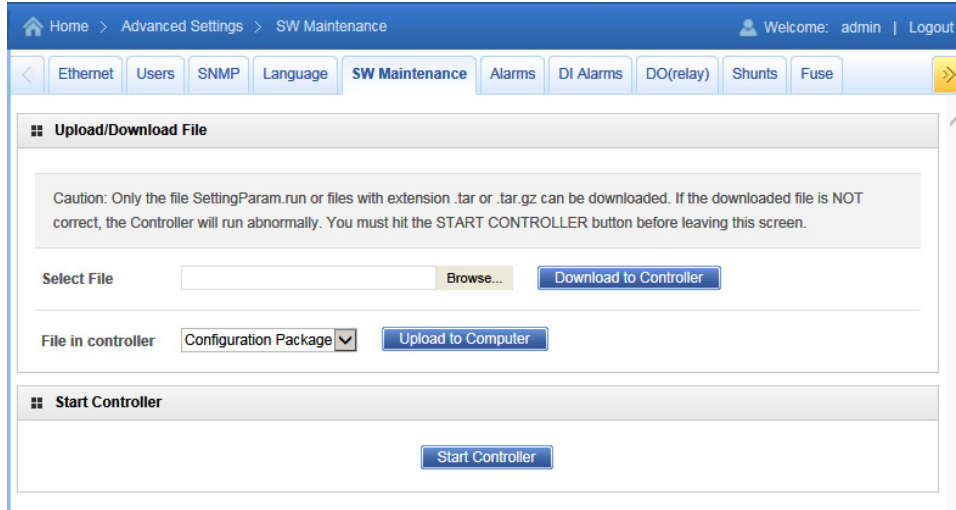
2. The following window opens.

Figure 1.15 Upload - Controller Stopped



3. Click "OK".
4. The following window opens.

Figure 1.16 Upload File



ALERT! Never navigate from this Web page without first clicking on "Start Controller". If you do, you will not have Web access. A manual system reset is required to restore Web access.

5. To **upload** a file to your computer, select "Configuration Package" from the "File in Controller" drop-down list box, and click on the "Upload to Computer" button to save the file to your computer. Select where you want the file to be copied to on your computer. Click "Start Controller" to restart the Controller.

Saving the SettingParam.Run File

Local Menu Navigation:

None.

Web Menu Navigation:

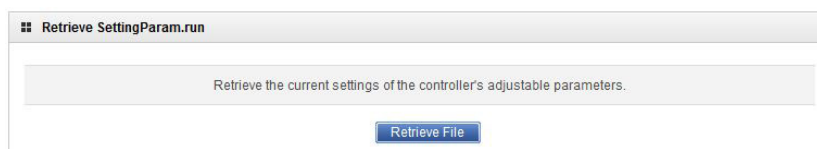
Advance Settings Menu / SW Maintenance Tab.

Procedure

1. Click on the "Retrieve File" button to save the file named "SettingParam.run" to your computer. Select where you want the file to be copied to on your computer.

To aid in file management, you may change the name of the "SettingParam.run" file to differentiate it from other "SettingParam.run" files saved. The new name can use alpha and numeric characters preceding the original "SettingParam.run" name (the end of the new file name **must** always be "SettingParam.run"; for example, an acceptable filename would be "seville4SettingParam.run").

Figure 1.17 Retrieve SettingParam.run



1.7 Reloading a Backed-Up NCU Configuration

1.7.1 NCU Version 1.1.80, or Later

General

To reload the NCU configuration, simply download a saved "SettingParam.tar" file into the NCU.

Reloading the "SettingParam.tar" File

Local Menu Navigation:

None.

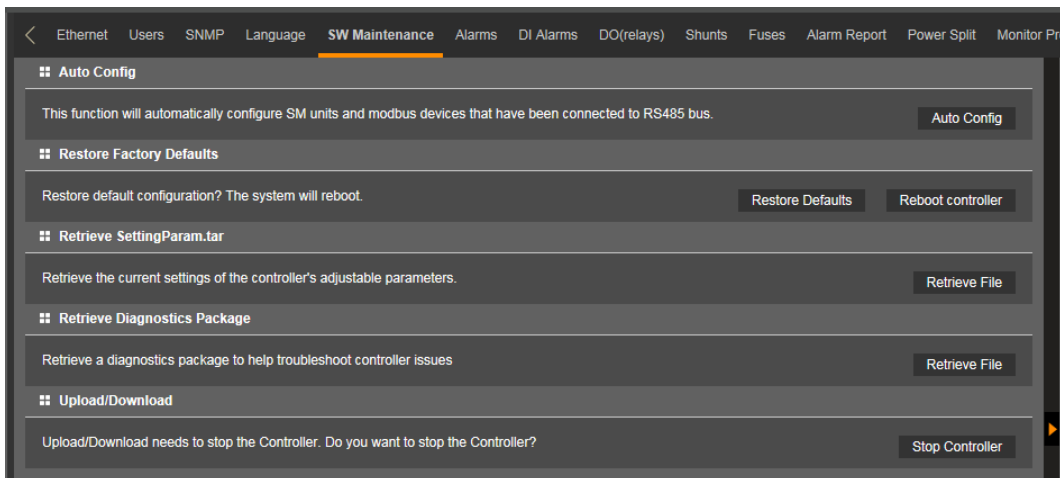
Web Menu Navigation:

Advance Settings Menu / SW Maintenance Tab.

Procedure

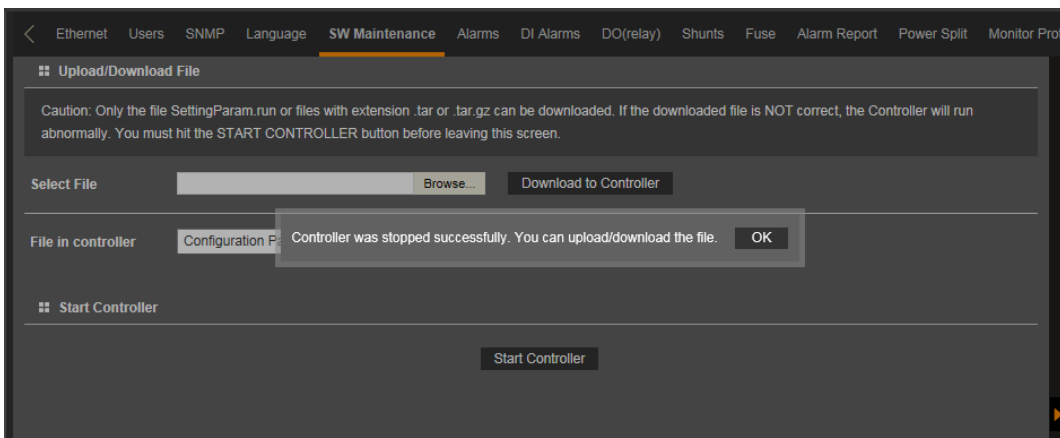
1. To download a file, you need to shut down the controller first. When you select the SW Maintenance Tab, click on the "Stop Controller" button.

Figure 1.18 Download - Stop Controller



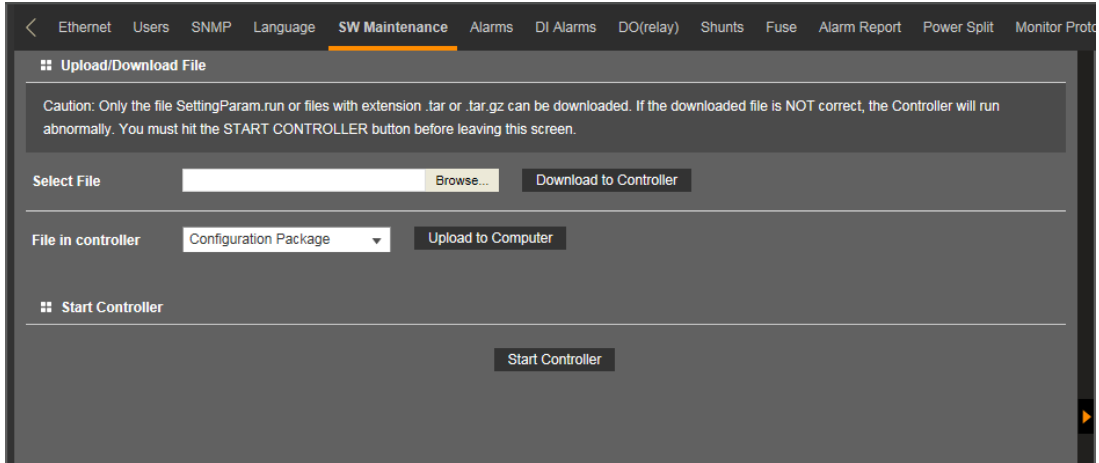
2. The following window opens.

Figure 1.19 Download - Controller Stopped



3. Click "OK".
4. The following window opens.

Figure 1.20 Download File



ALERT! Never navigate from this Web page without first clicking on "Start Controller". If you do, you will not have Web access. A manual system reset is required to restore Web access.

5. To **download** (from your computer into the controller) a "SettingParam.tar" file; click the "Browse..." button and navigate to the folder where the file to download is located. Select the file to be downloaded and then click the "Download to Controller" button. Click "Start Controller" to restart the controller with the downloaded file installed.

1.7.2 NCU Version 1.1.70, or Earlier

General

There are two steps in reloading a backed-up NCU configuration:

- One step to reload the saved NCU configuration package.
- One step to reload the saved "SettingParam.run" file.

Reloading the Configuration Package

Local Menu Navigation:

None.

Web Menu Navigation:

Advance Settings Menu / SW Maintenance Tab.

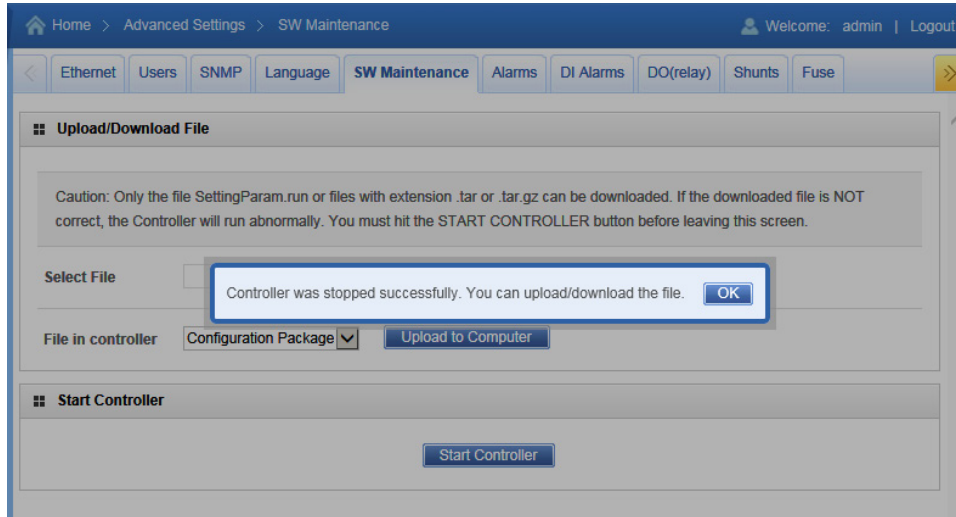
Procedure

You can download (from your computer into the controller) a configuration package (filename has a tar or tar.gz extension).

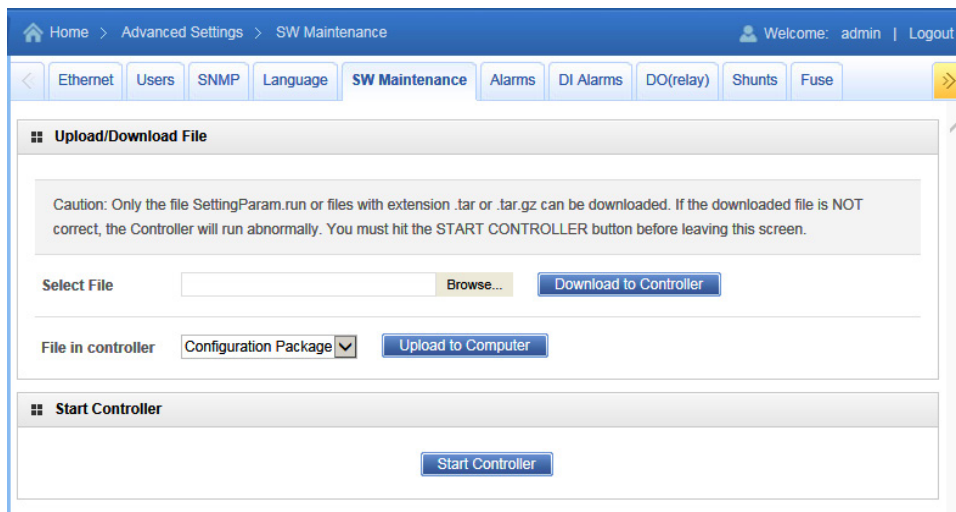
1. To download a file, you need to shut down the controller first. When you select the SW Maintenance Tab, click on the "Stop Controller" button.

Figure 1.21 Download - Stop Controller

- The following window opens.

Figure 1.22 Download - Controller Stopped

- Click "OK".
- The following window opens.

Figure 1.23 Download File

ALERT! Never navigate from this Web page without first clicking on "Start Controller". If you do, you will not have Web access. A manual system reset is required to restore Web access.

5. To **download** (from your computer into the controller) a configuration package; click the "Browse..." button and navigate to the folder where the file to download is located. Select the file to be downloaded and then click the "Download to Controller" button. Click "Start Controller" to restart the controller with the downloaded file installed.

Reloading the SettingParam.Run File

Local Menu Navigation:

None.

Web Menu Navigation:

Advance Settings Menu / SW Maintenance Tab.

Procedure

You can download (from your computer into the controller) a "SettingParam.run file".

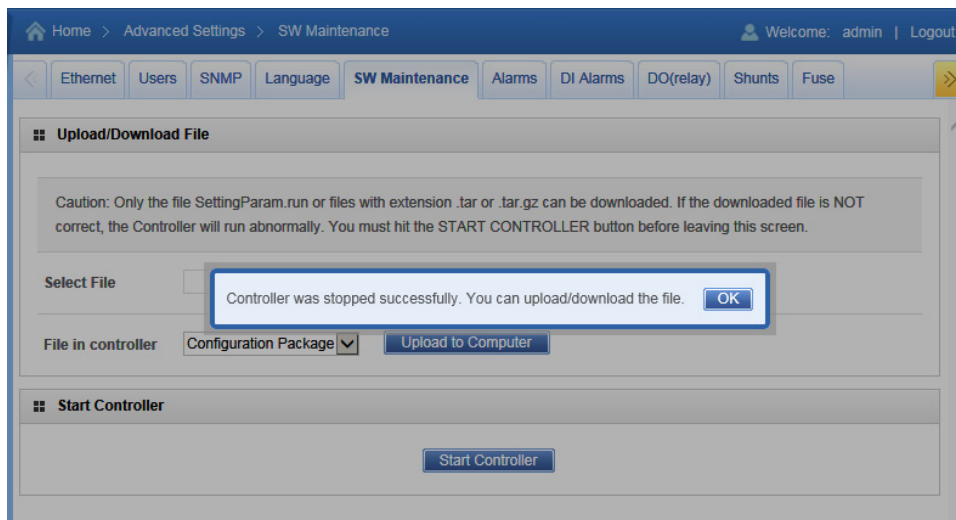
1. To download a file, you need to shut down the controller first. When you select the SW Maintenance Tab, click on the "Stop Controller" button.

Figure 1.24 Download - Stop Controller



2. The following window opens.

Figure 1.25 Download - Controller Stopped



3. Click "OK".
4. The following window opens.

Figure 1.26 Download File

Home > Advanced Settings > SW Maintenance

Welcome: admin | Logout

Ethernet Users SNMP Language **SW Maintenance** Alarms DI Alarms DO(relay) Shunts Fuse

Upload/Download File

Caution: Only the file SettingParam.run or files with extension .tar or .tar.gz can be downloaded. If the downloaded file is NOT correct, the Controller will run abnormally. You must hit the START CONTROLLER button before leaving this screen.

Select File Browse... Download to Controller

File in controller Configuration Package Upload to Computer

Start Controller

Start Controller



ALERT! Never navigate from this Web page without first clicking on "Start Controller". If you do, you will not have Web access. A manual system reset is required to restore Web access.

- To **download** (from your computer into the controller) a "SettingParam.run" file; click the "Browse..." button and navigate to the folder where the file to download is located. Select the file to be downloaded and then click the "Download to Controller" button. Click "Start Controller" to restart the controller with the downloaded file installed.

This page intentionally left blank.

Connect with Vertiv on Social Media



<https://www.facebook.com/vertiv/>



<https://www.instagram.com/vertiv/>



<https://www.linkedin.com/company/vertiv/>



<https://www.twitter.com/vertiv/>



Vertiv.com | Vertiv Headquarters, 505 N Cleveland Ave, Westerville, OH 43082, USA

© 2023 Vertiv Group Corp. All rights reserved. Vertiv™ and the Vertiv logo are trademarks or registered trademarks of Vertiv Group Corp. All other names and logos referred to are trade names, trademarks or registered trademarks of their respective owners. While every precaution has been taken to ensure accuracy and completeness here, Vertiv Group Corp. assumes no responsibility, and disclaims all liability, for damages resulting from use of this information or for any errors or omissions.