

Vertiv™ VR Vertical Exhaust Duct



Quick Installation Guide

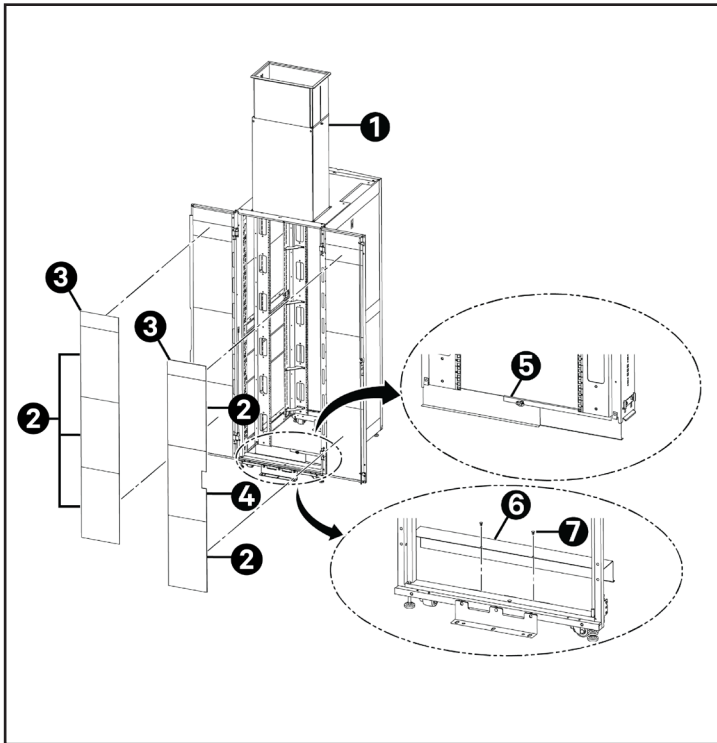


Vertiv™ VR Vertical Exhaust Duct part numbers: VRA2009, VRA2010, VRA2011, and VRA2012.

NOTE: The applicable networking roof panel is required for this accessory to fit on the VR rack.

Components

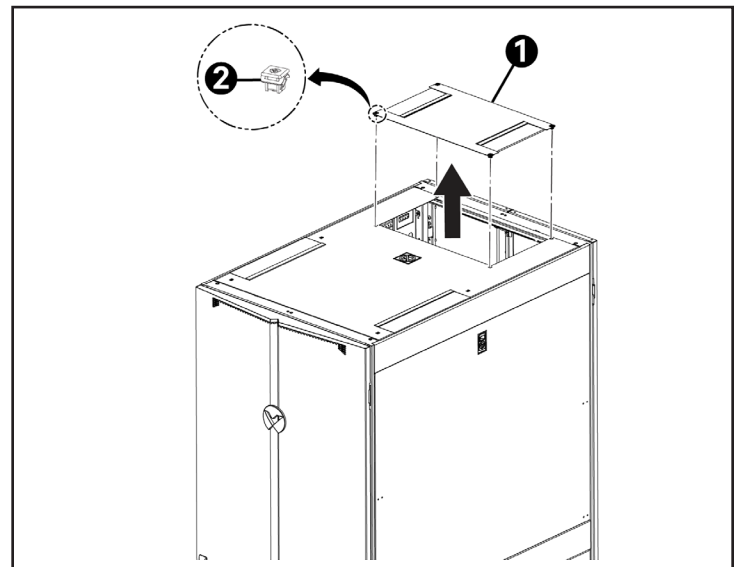
Figure 1 Components



Access Panel Removal

Remove the access panel (1) by turning each of the four fasteners (2) a quarter turn counterclockwise. Then lift the panel (1) off the roof. See Figure 2.

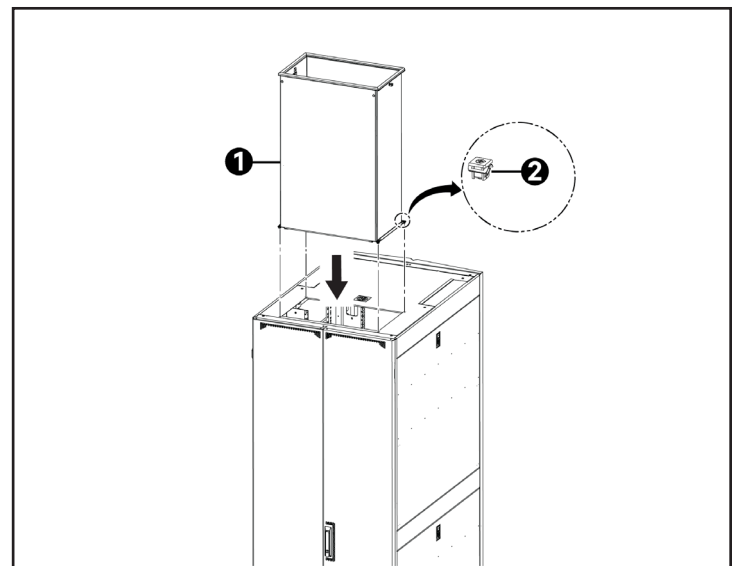
Figure 2 Removing the Access Panel



Vertical Exhaust Duct Installation

1. Mount the vertical exhaust duct assembly (1) on the top panel, and insert four tool-less fasteners (2) into the holes. See Figure 3.

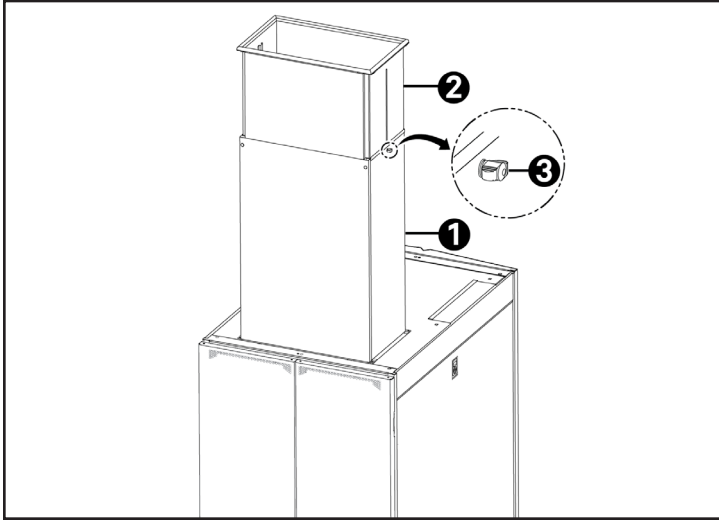
Figure 3 Mounting the Vertical Exhaust Duct



Item	Description	42U Unit Qty	48U Unit Qty
1	Vertical exhaust duct assembly	1	1
2	Rear door panel A	5	5
3	Rear door panel B	0	2
4	Rear door panel C	1	1
5	Adjustable air block panel	1	1
6	Fixed air block panel	1	1
7	Push-in rivet	2	2

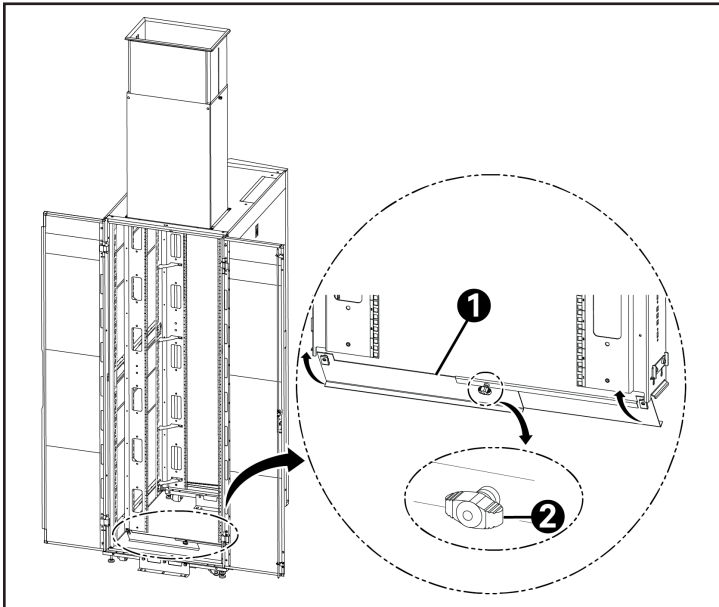
- Rotate the knob (3) a quarter-turn counterclockwise to loosen it. Extend the top duct (2) from the bottom duct (1). Once the top duct (2) reaches the desired height, rotate the knob (3) a quarter turn clockwise to lock the position. See Figure 4.

Figure 4 Setting the Height of Top Duct



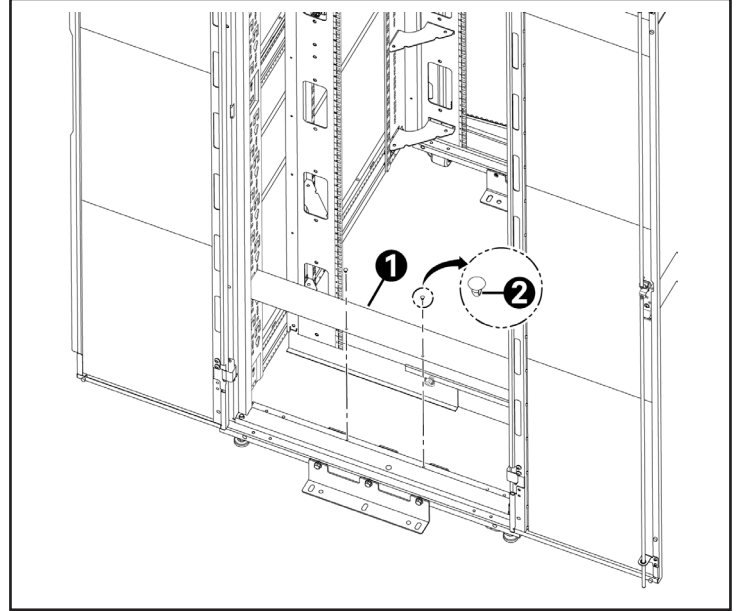
- Open the rear doors. Install the adjustable air block panel (1) under the EIA rails to seal the gap between the rails and the floor. Adjust the length of the air block panel (1) by rotating the knob (2) a quarter turn counterclockwise to loosen it, extending the panel (1), and then rotating the knob (2) a quarter turn clockwise to tighten it. See Figure 5.

Figure 5 Adjusting the Length of Air Block Panel



- Install the air block panel (1) on the bottom frame with two push-in rivets (2). See Figure 6.

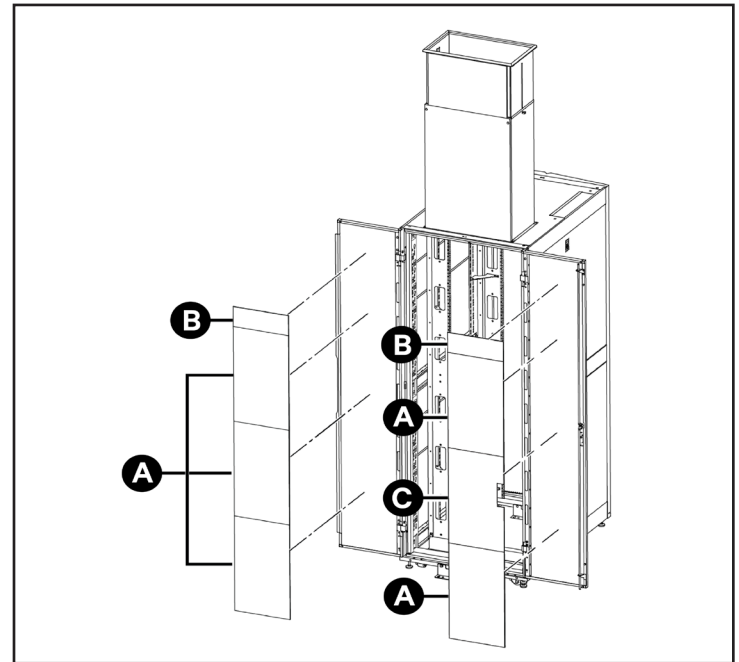
Figure 6 Installing the Air Block Panel



- Snap the magnetic rear door panels A, B, and C onto the interior of the rear door, from top to bottom. Install the panel C around the door lock. See Figure 7.

NOTE: Panel B is used in 48U racks only.

Figure 7 Installing the Rear Door Panel



To contact Vertiv Technical Support: visit www.Vertiv.com

© 2024 Vertiv Group Corp. All rights reserved. Vertiv™ and the Vertiv logo are trademarks or registered trademarks of Vertiv Group Corp. All other names and logos referred to are trade names, trademarks or registered trademarks of their respective owners. While every precaution has been taken to ensure accuracy and completeness here, Vertiv Group Corp. assumes no responsibility, and disclaims all liability, for damages resulting from use of this information or for any errors or omissions.

