

Vertiv™ VR Top Fan Kit



Quick Installation Guide



Vertiv™ VR top fan kit part numbers: VRA2007 and VRA2008

Safety Instructions: Read these instructions before and during installation process. Keep this document after installation.

Components

Item	Description	Qty.
1	Top Fan Kit (assembled with one power cord (A), two brush strips (B), and four tool-less fasteners (C))	1
2	Cable Tie	6
3	Cable Tie Holder	6
4	Ground Wire	1
5	M6 Screw	1
6	Washer	1
7	Nut	1

This unit is designed to be used in restricted access areas.

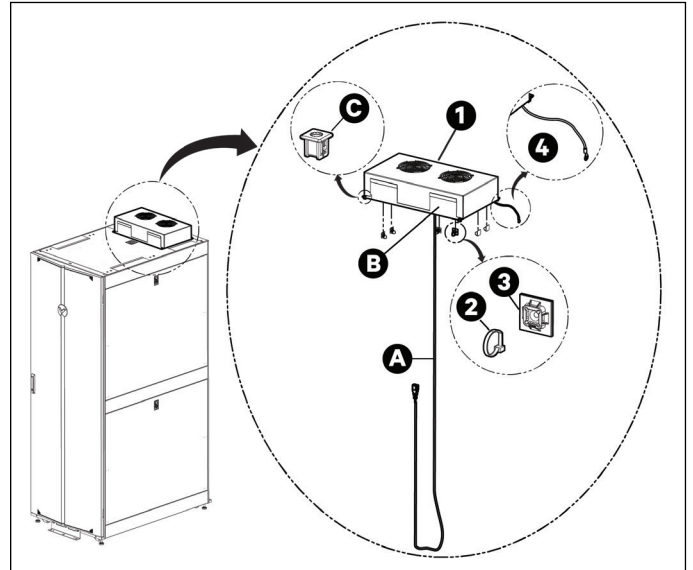
MOVING FAN BLADE:



Disconnect the power source prior to defeating or bypassing equipment safeguard. Restore equipment safeguard before restoring power.

Keep body parts away from fan blades.

Figure 1



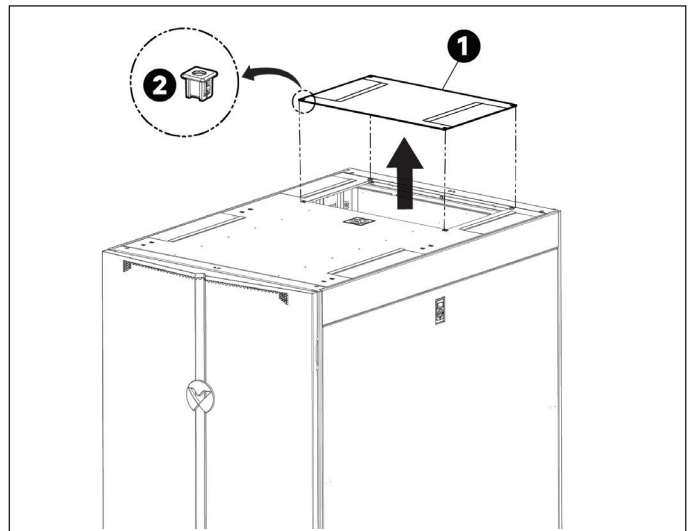
Protective earth; protective ground

WARNING: This equipment is not suitable for use in locations where children are likely to be present.

Access Panel Removal

1. Remove the access panel (1) by turning each of the four fasteners (2) a quarter-turn counterclockwise.
2. Then lift the panel off the roof.

Figure 2



Top Fan Kit Installation

1. Mount the top fan kit (1) on the top panel and insert four tool-less fasteners (2) into the holes.
2. Determine the desired cable routing path and then install the adhesive backed cable tie holder (3) on the inside of the fan housing. Secure the power cord (5) to the cable tie holder (3) with cable tie (4). For these two steps, refer to figure 3.
3. Tighten smaller cable terminal of ground cable (6) to the Top Fan Kit using the washer (7) and nut (8) included. The wider terminal cable goes to the rack using the M6 screw (9). Refer to figure 4.
4. Connect the power cord (5) to a socket-outlet with earthing connection (VRA2007 must be connected to a 115 V power source; VRA2008 must be connected to a 220/230 V power source). Refer to figure 3.

Figure 3

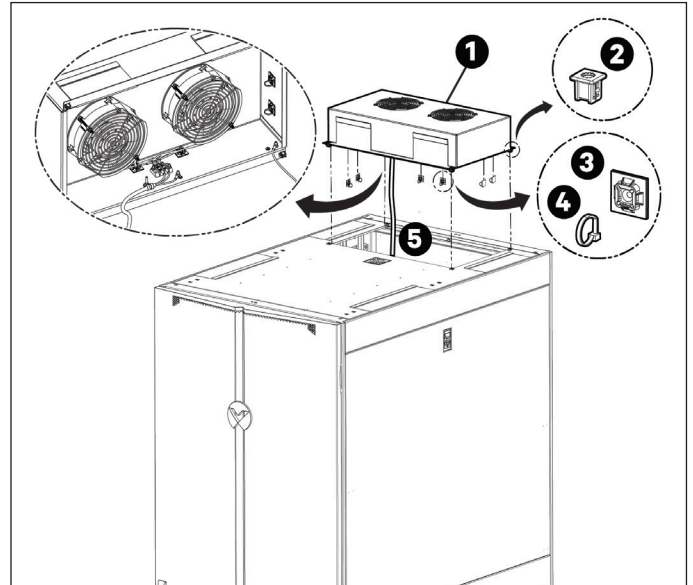
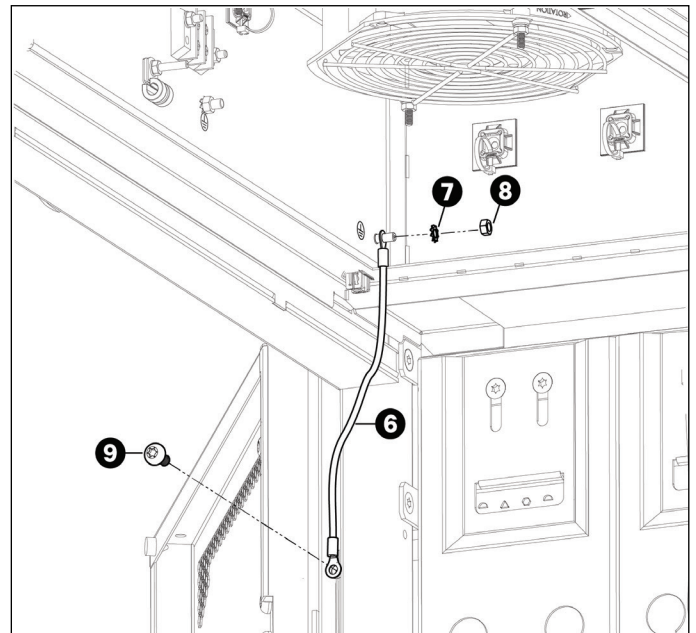


Figure 4



To contact Vertiv Technical Support: visit www.Vertiv.com

©2023 Vertiv Group Corp. All rights reserved. Vertiv™ and the Vertiv logo are trademarks or registered trademarks of Vertiv Group Corp. All other names and logos referred to are trade names, trademarks or registered trademarks of their respective owners. While every precaution has been taken to ensure accuracy and completeness here, Vertiv Group Corp. assumes no responsibility, and disclaims all liability, for damages resulting from use of this information or for any errors or omissions. Specifications, rebates and other promotional offers are subject to change at Vertiv's sole discretion upon notice.

