

AVOCENT®LONGVIEW™

HIGH PERFORMANCE KVM EXTENDER



3000 and 4000 Series Rack Installation Guide

The steps provide instructions for installing the LongView™ Extender rack shelf.

1. Installing the rack shelf

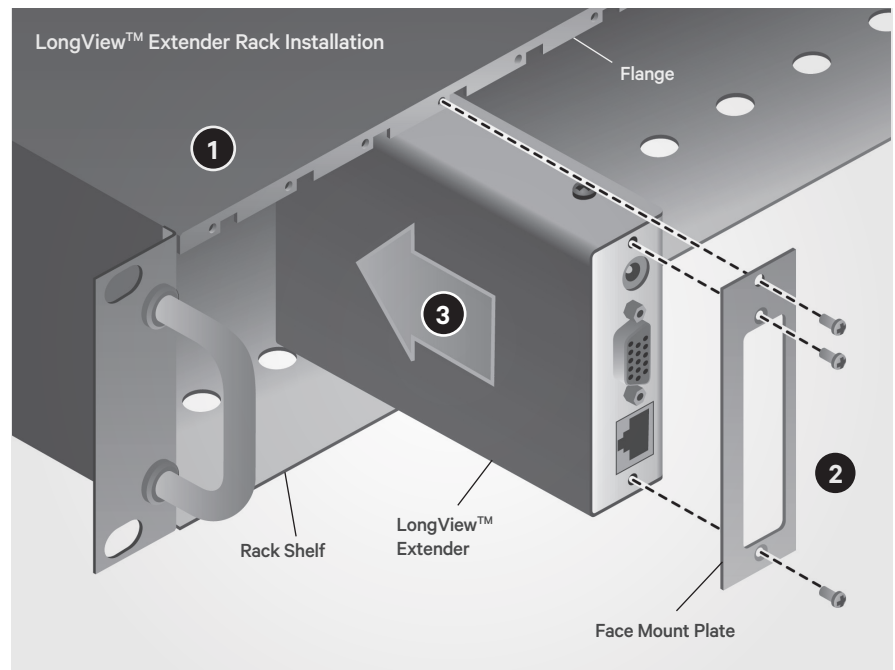
Turn the rack shelf so that the flange with threaded holes is at the top. Then, install the shelf into a rack using the appropriate hardware.

2. Attaching the mount plate

Place the LongView extender on its side and attach the face mount plate using the supplied screws. An “extra” hole should be at the top of the face mount plate after it is attached to the extender.

3. Attaching the extender to the rack shelf

Leaving the extender on its side, slide it and the attached mount plate into the rack shelf until it is flush with the front of the rack mount chassis. The screws on the top side of the extender should line up with a rectangular gap on the flange in order to slide through. The screws on the bottom side of the extender should slide into the relief holes on the bottom of the rack mount chassis. The extra hole in the face mount plate should align with a threaded hole on the flange. Using a supplied screw, secure the mount plate and extender to the rack shelf.





To contact Vertiv Technical Support: visit www.VertivCo.com

© 2017 Vertiv Co. All rights reserved. Vertiv and the Vertiv logo are trademarks or registered trademarks of Vertiv Co. All other names and logos referred to are trade names, trademarks or registered trademarks of their respective owners. While every precaution has been taken to ensure accuracy and completeness herein, Vertiv Co. assumes no responsibility, and disclaims all liability, for damages resulting from use of this information or for any errors or omissions. Specifications are subject to change without notice.

