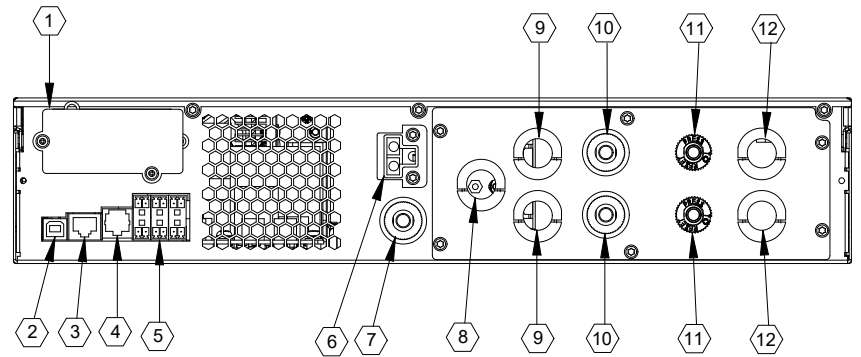
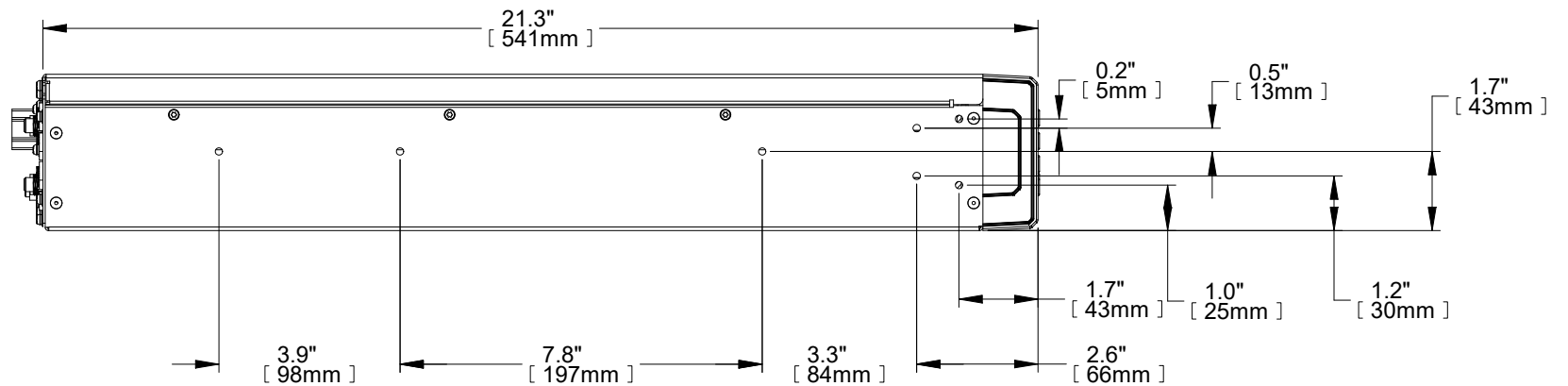


FRONT VIEW

FOR DETAIL
SEE DRAWING GXT5-DISPLAY



REAR VIEW



SIDE VIEW

- | | |
|--------------------------------|-------------------------------|
| ① INTELLISLOT PORT | ⑦ INPUT CIRCUIT BREAKER 20A |
| ② USB PORT | ⑧ INPUT POWER PLUG (L6-20P) |
| ③ RS485 PORT | ⑨ OUTPUT POWER PLUG (L6-20R) |
| ④ RS232 PORT | ⑩ OUTPUT CIRCUIT BREAKER 20A |
| ⑤ TERMINAL BLOCK COMMUNICATION | ⑪ OUTPUT CIRCUIT BREAKER 15A |
| ⑥ EXTERNAL BATTERY CONNECTOR | ⑫ OUTPUT POWER CABLE (L6-15R) |

NOTES:

- UNIT DIMENSIONS (WxDxH): 16.9" x 21.3" x 3.3" (2U)
(430mm) x (541mm) x (85mm)
- UNIT WEIGHT: 65.1lbs (29.6kg)
- SHIPPING DIMENSIONS (WxDxH): 22.4" x 28.2" x 10.3"
(570mm) x (717mm) x (262mm)
- SHIPPING WEIGHT: 79.2lbs (36kg)
- MINIMUM AIRFLOW CLEARANCE IS 4.0" (100mm)
FRONT AND REAR.

DRAWN BY B. LAY	SHEET NO. 1 OF 1
CHK BY L. JOHNSON	ECN NO.
REF. DWG.	ORDER NO.

OUTLINE DRAWING
LIEBERT GXT5 3000VA
208VAC RACK/TOWER UPS

DWG. NO. GXT5-3K620HV_OD	DATE 8/28/2019	REV. # 1	1050 DEARBORN DRIVE P.O. BOX 29186 COLUMBUS, OHIO 43229
-----------------------------	-------------------	-------------	---

